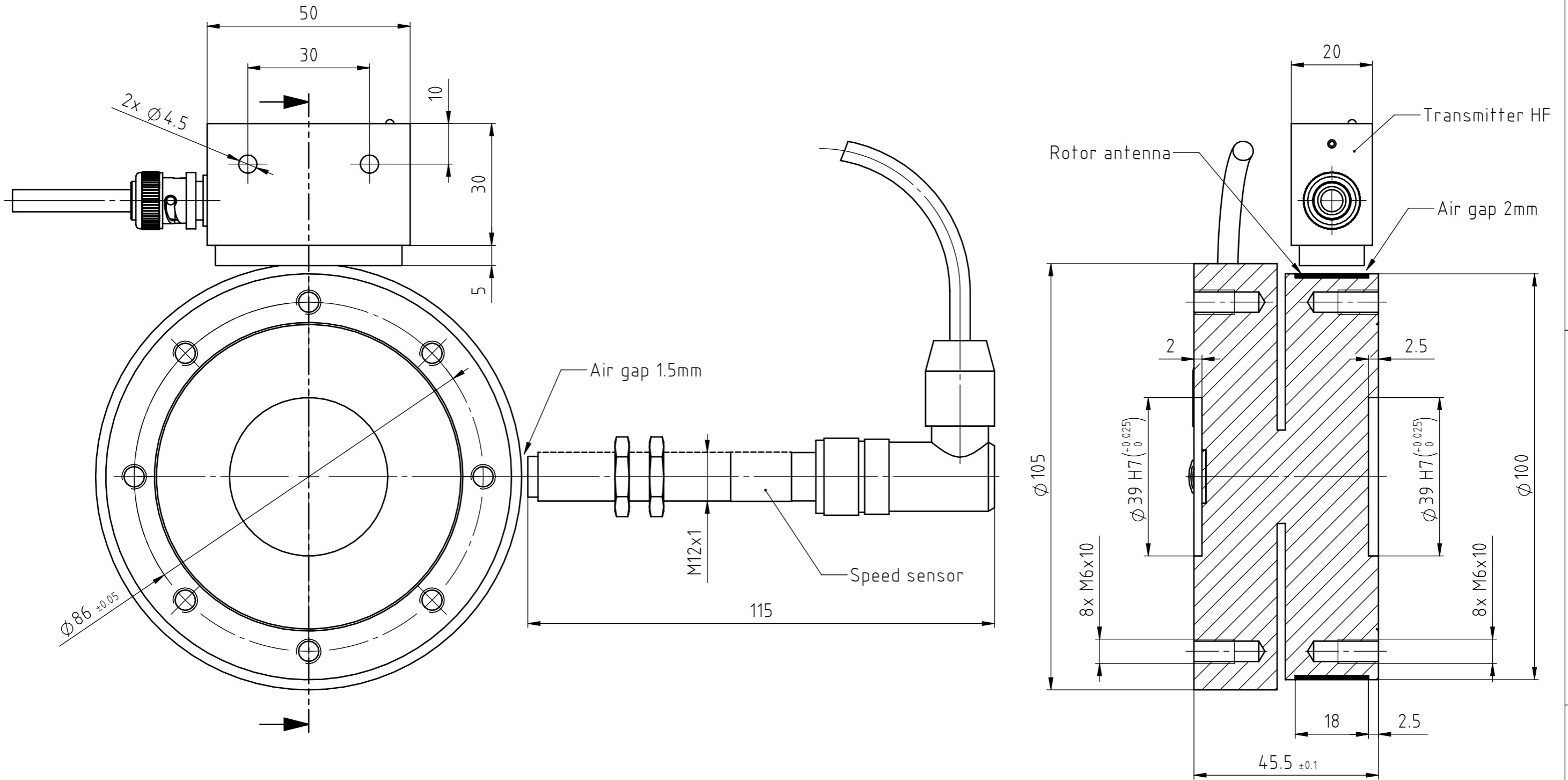


THE INFORMATION DISCLOSED HEREIN WAS ORIGINATED BY AND IS THE PROPERTY OF MAGTROL SA. MAGTROL SA RESERVES ALL PATENT PROPRIETARY, DESIGN, USE, SALE, MANUFACTURING AND REPRODUCTION RIGHTS THERETO.



Error of linearity: 0.1%  
 Maximum torque: 200% of nominal  
 Maximum speed: 17'000 rpm  
 Sensitivity: 0.6mV/V => TF 309  
 0.8mV/V => TF 310-312  
 Strain gauge bridge: 700 $\Omega$   
 Rated temperature range: +10°C to + 85°C  
 Storage temperature range: -20°C to + 85°C  
 Protection class: IP42

6																		
5																		
4																		
3																		
2																		
1																		
Rev.	Date	PM	Drawn	Appr.	Repl. by :													
					Repl. for :													
Tolerances: $\pm$ mm to 50mm, $\pm$ mm over 50mm																		
Material:						Scale 1:1												
Finish:						<table border="1"> <tr> <td>Drawn</td> <td>15.04.2011</td> <td>ajoy</td> </tr> <tr> <td>Checked</td> <td>15.04.2011</td> <td>acot</td> </tr> <tr> <td>Approved</td> <td>15.04.2011</td> <td>blot</td> </tr> </table>				Drawn	15.04.2011	ajoy	Checked	15.04.2011	acot	Approved	15.04.2011	blot
Drawn	15.04.2011	ajoy																
Checked	15.04.2011	acot																
Approved	15.04.2011	blot																
TF309 (20Nm), TF310 (50Nm), TF311 (100Nm), TF312 (200Nm)						DRAWING N°												
<b>Torque Flange TF300</b>						<b>425-310-000V011</b>												

