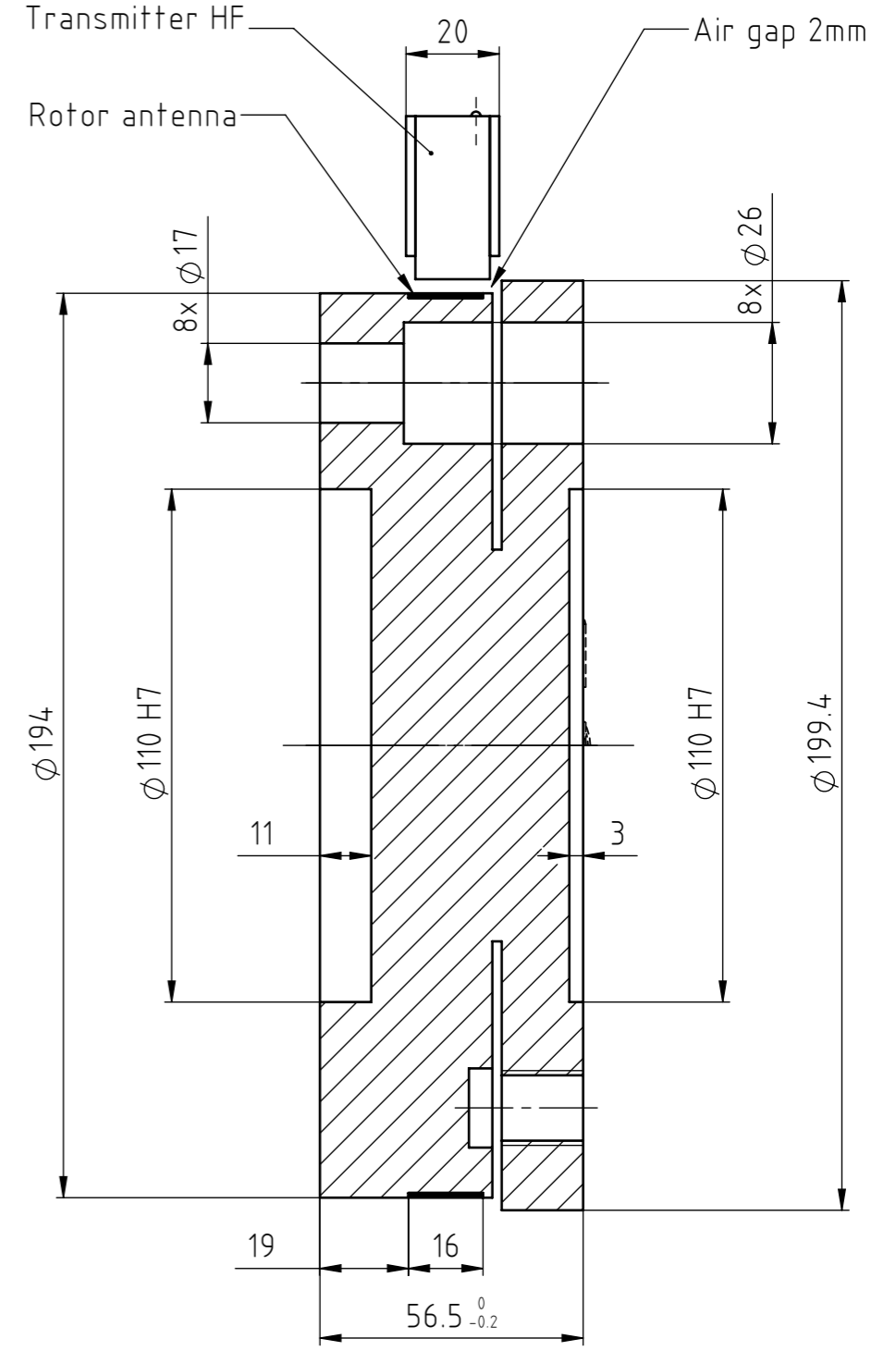
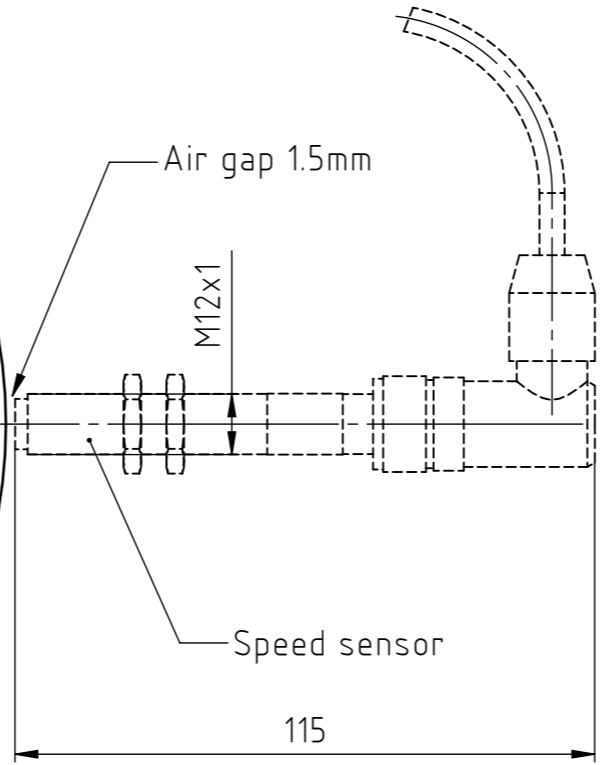
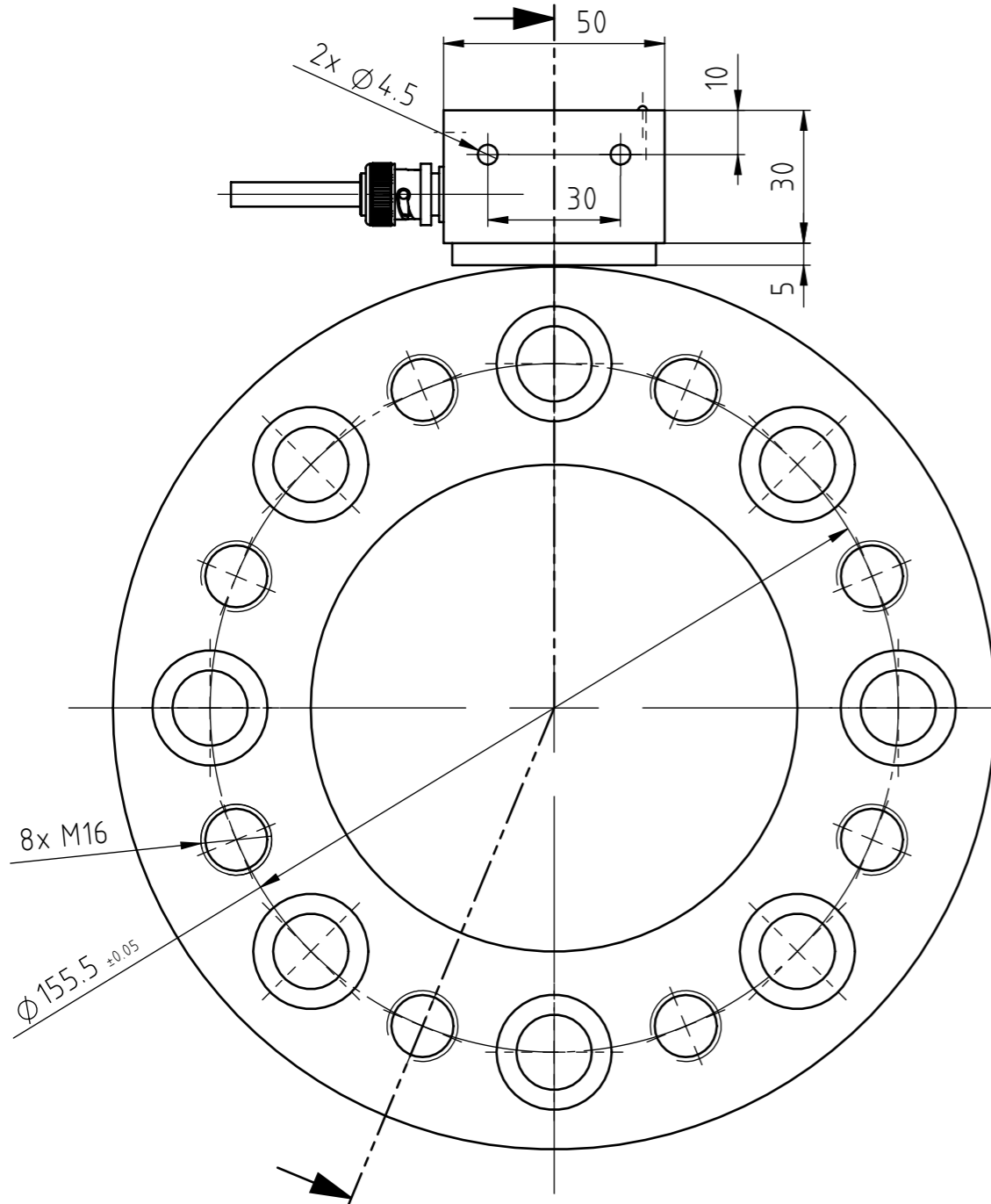


THE INFORMATION DISCLOSED HEREIN WAS ORIGINATED BY AND IS THE PROPERTY OF MAGTROL SA. MAGTROL SA RESERVES ALL PATENT PROPRIETARY, DESIGN, USE, SALE, MANUFACTURING AND REPRODUCTION RIGHTS THERETO.



Error of linearity: 0.1%
 Maximum torque: 150% of nominal
 Maximum speed: 8'000 rpm
 Sensitivity: 1mV/V
 Strain gauge bridge: 700Ω
 Rated temperature range: +10°C to + 85°C
 Storage temperature range: -25°C to + 85°C
 Protection class: IP42

6						
5						
4						
3						
2	07.05.14	14040	blot	acot	Ø17 and Ø26 instead Ø16.2 and Ø24.5	
1	14.04.08	08033	blot	blot	Replacement of speed sensor	
Rev.	Date	PM	Drawn	Appr.	Repl. by :	
					Repl. for :	
Tolerances: ± . . mm to 50mm, ± . . mm over 50mm						
Material:						Scale
Finish:						1:1.5
TF217 (10kNm) Torque Flange TF200						DRAWING N°
						425-217-000V013

MAGTROL SA SWITZERLAND

Drawn	09.12.08	B. Lottenbach
Checked		
Approved	09.12.08	B. Lottenbach