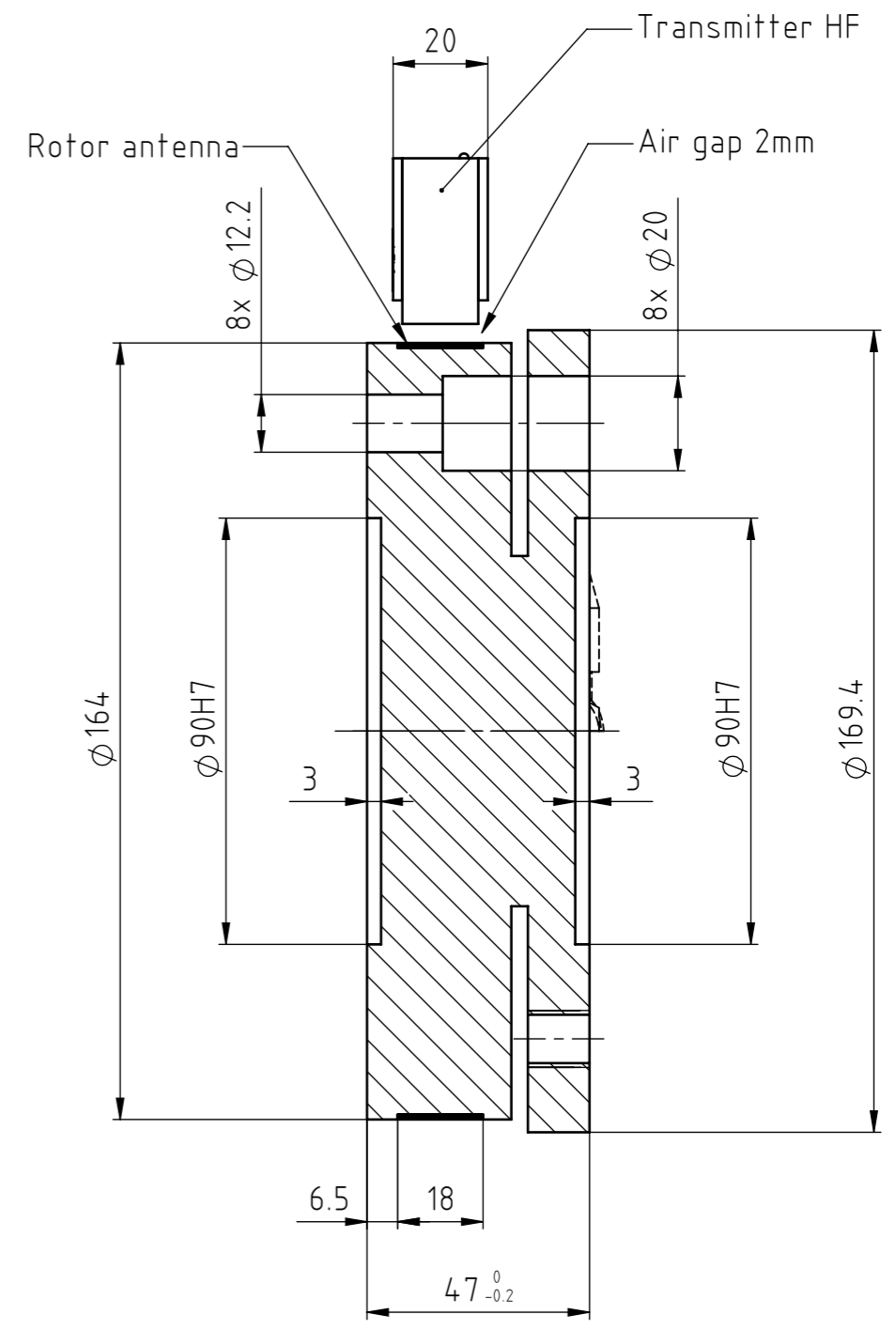
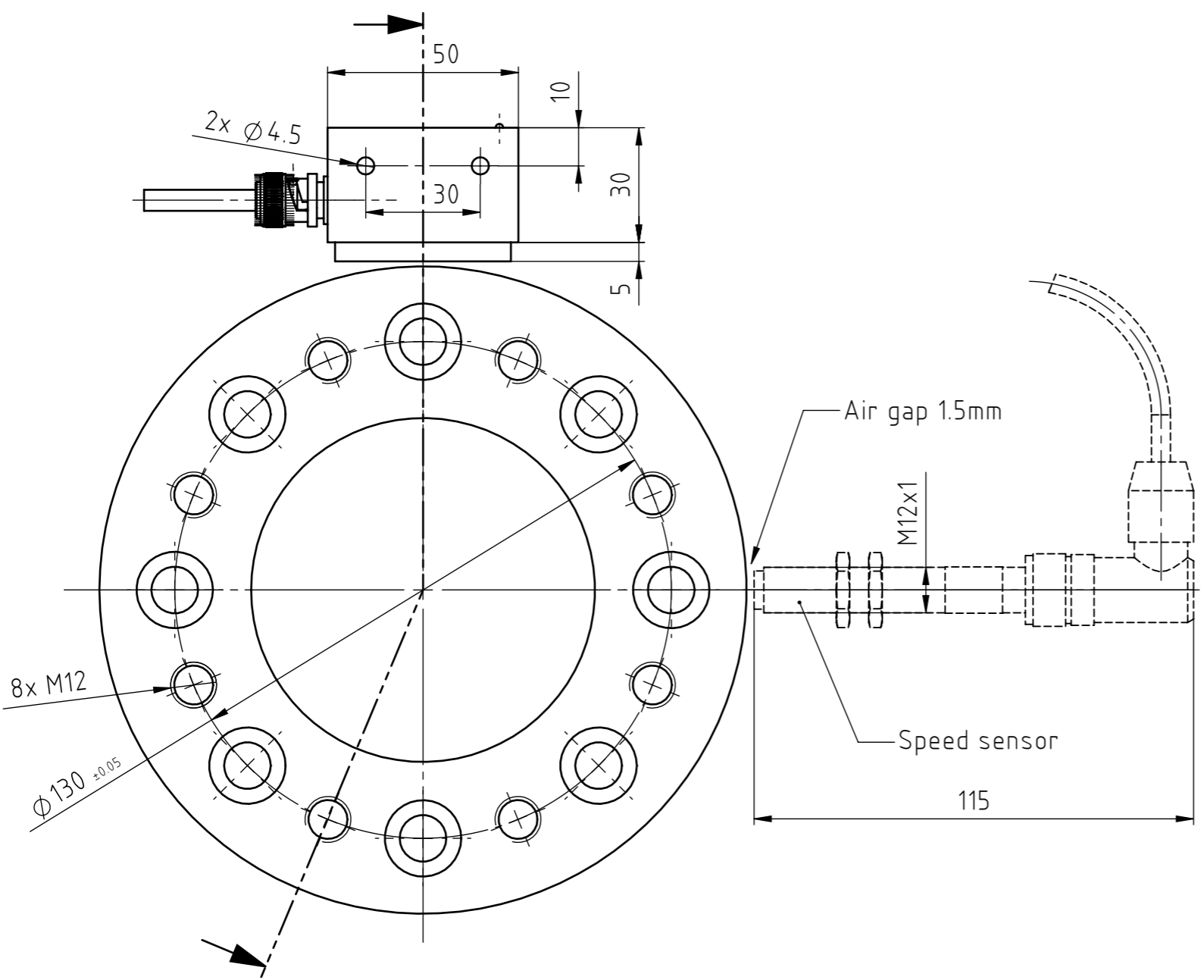


THE INFORMATION DISCLOSED HEREIN WAS ORIGINATED BY AND IS THE PROPERTY OF MAGTROL SA. MAGTROL SA RESERVES ALL PATENT PROPRIETARY, DESIGN, USE, SALE, MANUFACTURING AND REPRODUCTION RIGHTS THERETO.



Error of linearity: 0.1%
 Maximum torque: 200% of nominal
 Maximum speed: 10'000 rpm
 Sensitivity: 1mV/V
 Strain gauge bridge: 700 Ω
 Rated temperature range: +10°C to + 85°C
 Storage temperature range: -25°C to + 85°C
 Protection class: IP42

6						
5						
4						
3						
2						
1	14.04.08	08033	blot	blot	Changement de capteur de vitesse	
Rev.	Date	PM	Drawn	Appr.	Repl. by :	
					Repl. for:	
Tolerances: \pm mm to 50mm, \pm mm over 50mm						
Material:					Scale	Drawn 09.12.08 B.Lottenbach Checked Approved 09.12.08 B.Lottenbach
Finish:					1:1.5	
TF215 (2kNm)					DRAWING N°	
Torque Flange TF200					425-215-000V014	