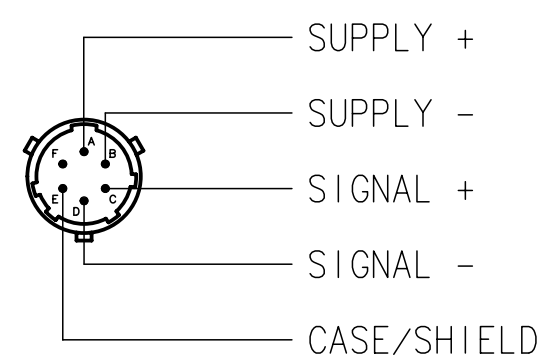
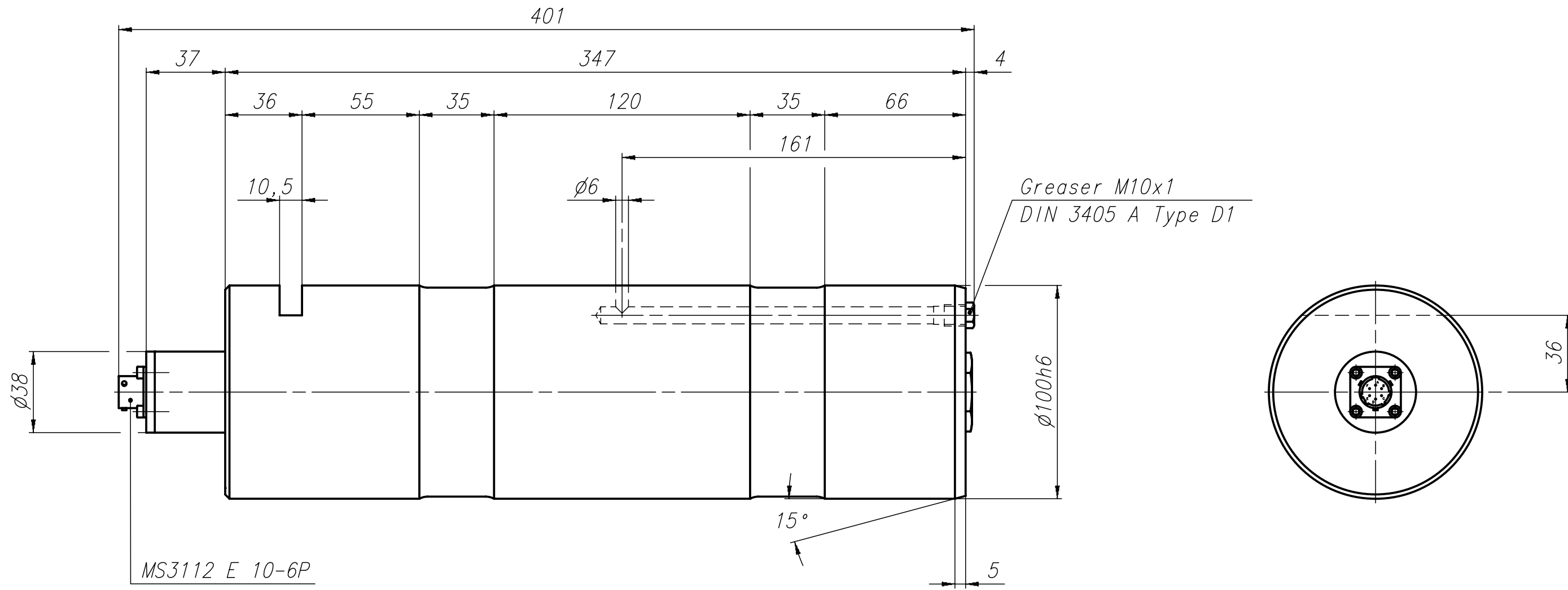


THE INFORMATION DISCLOSED HEREIN WAS ORIGINATED BY AND IS THE PROPERTY OF MAGTROL SA. MAGTROL SA RESERVES ALL PATENT, PROPRIETARY, DESIGN, USE, SALE, MANUFACTURING AND REPRODUCTION RIGHTS THERETO.



6									
5									
4									
3									
2									
1									
Rev.	Date	PM	Drawn	Appr.	Repl. by :				
					Repl. for:				
Tolerances: ± mm to 50 mm; ± mm over 50 mm									
Material: 1.4057						Scale	Drawn	19.09.03	C.S.
Finish :						1:2	Checked		
						Approved	19.09.03	N.Buri	
LOAD MEASURING PIN WITH ELECTRONIC 0-10V 1000kN						DRAWING N°			
P/N: 422-220-000-13X						422-220-000V131			
TYPE: LU 220/13X									