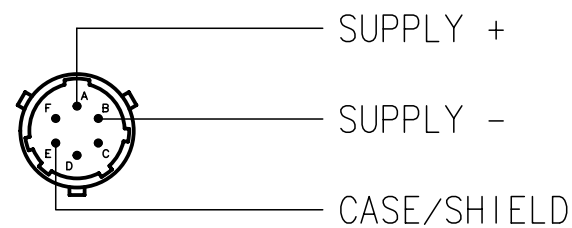
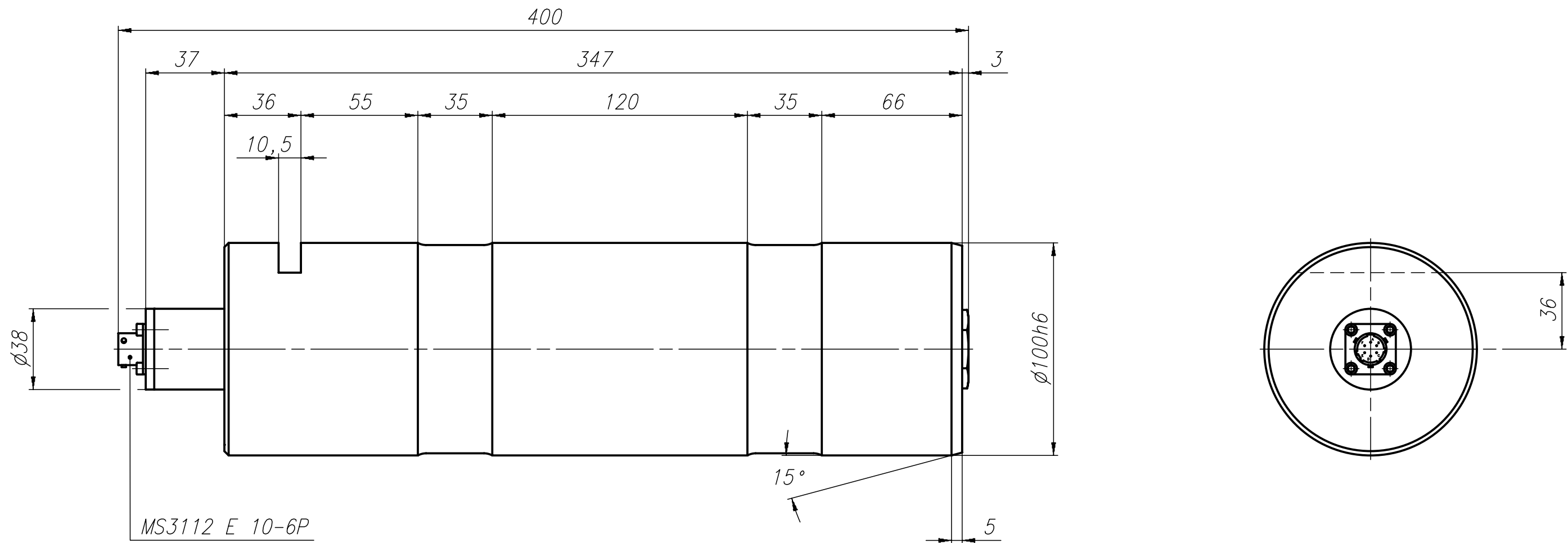


THE INFORMATION DISCLOSED HEREIN WAS ORIGINATED BY AND IS THE PROPERTY OF MAGTROL SA. MAGTROL SA RESERVES ALL PATENT, PROPRIETARY, DESIGN, USE, SALE, MANUFACTURING AND REPRODUCTION RIGHTS THERETO.



6										
5										
4										
3										
2										
1										
Rev.	Date	PM	Drawn	Appr.	Repl. by :		Repl. for: 422-220-000V011 (PM-02086)			
Tolerances: ± mm to 50 mm; ± mm over 50 mm							MAGTROL SA			
Material: 1.4057							Scale	Drawn	02.04.03	C.S.
Finish :							1:2	Checked		
							Approved	08.04.03	N.Buri	
LOAD MEASURING PIN WITH ELECTRONIC 4-20 mA 1000kN							DRAWING N°			
P/N: 422-220-000-01X				TYPE: LE 220/01X			422-220-000V013			