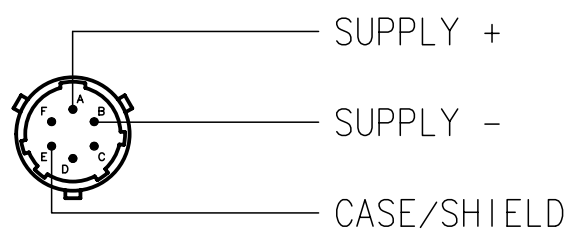
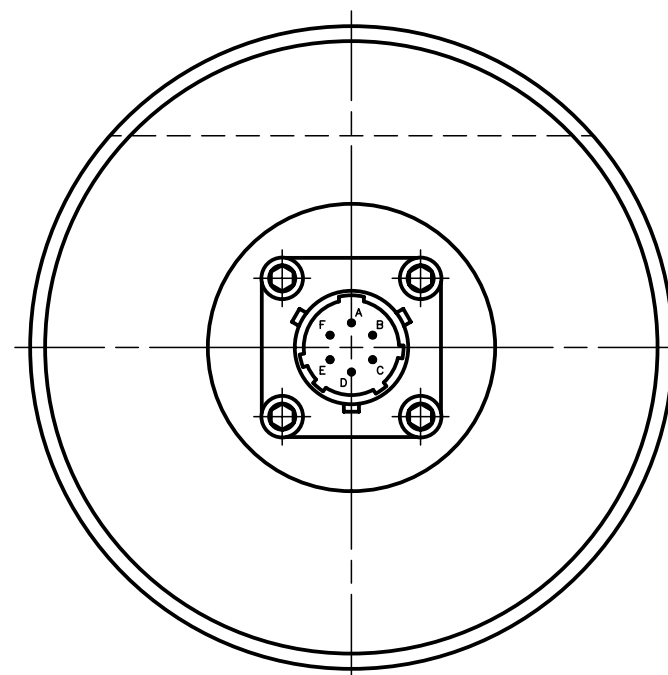
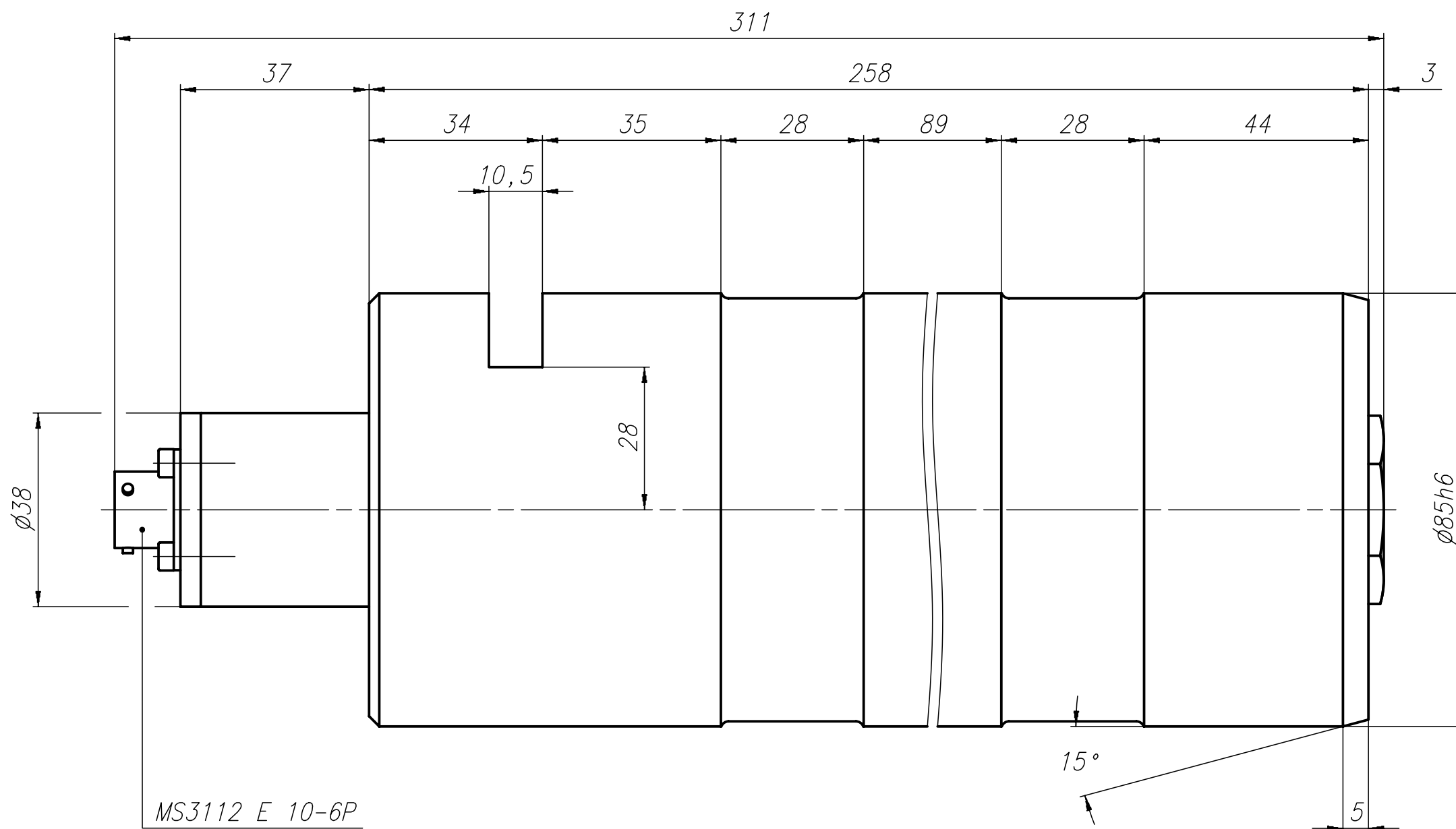


THE INFORMATION DISCLOSED HEREIN WAS ORIGINATED BY AND IS THE PROPERTY OF MAGTROL SA. MAGTROL SA RESERVES ALL PATENT, PROPRIETARY, DESIGN, USE, SALE, MANUFACTURING AND REPRODUCTION RIGHTS THERETO.



6									
5									
4									
3									
2									
1									
Rev.	Date	PM	Drawn	Appr.	Repl. by :				
					Repl. for: 422-218-000V011 (PM-02086)				
Tolerances: ± mm to 50 mm; ± mm over 50 mm									
Material: 1.4057							Scale 1:1		
Finish :							DRAWING N°		
LOAD MEASURING PIN WITH ELECTRONIC 4-20 mA 500kN							422-218-000V013		
P/N: 422-218-000-01X				TYPE: LE 218/01X					

**MAGTROL SA**

Drawn	02.04.03	C.S.
Checked		
Approved	08.04.03	N.Buri