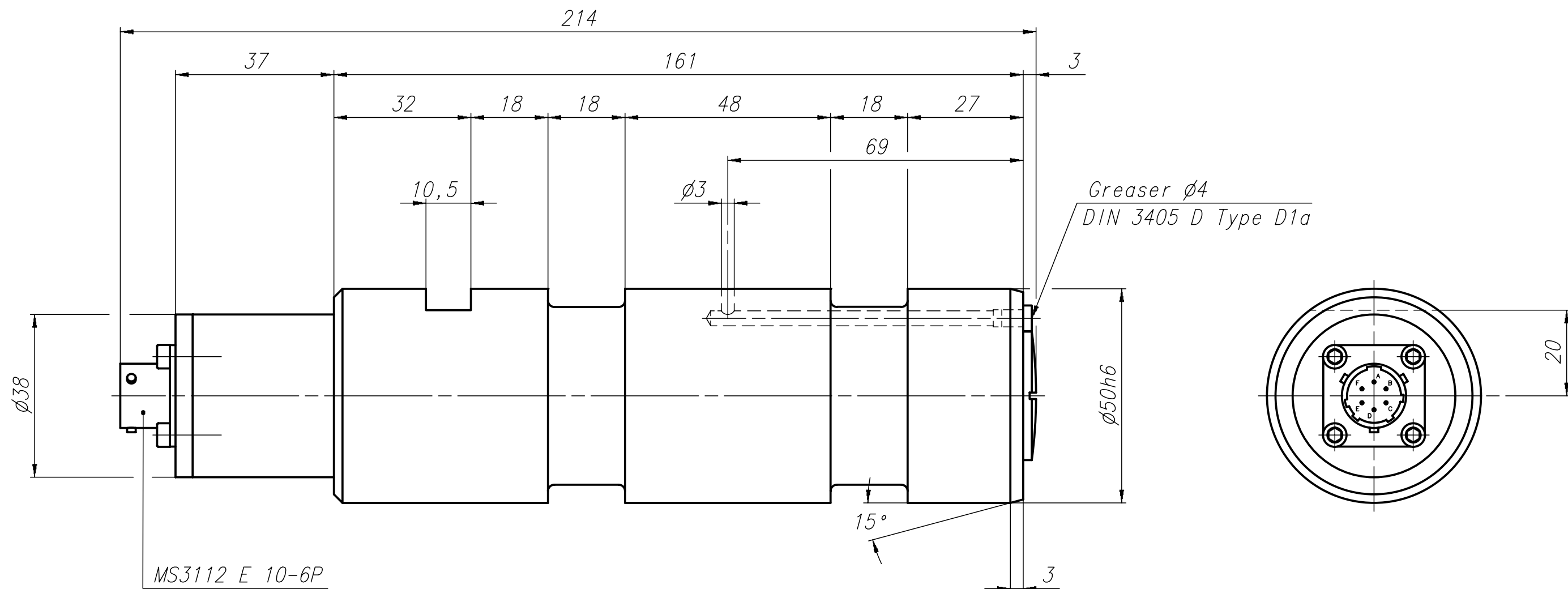
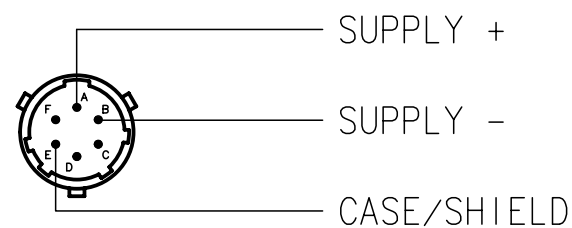


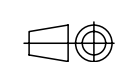
THE INFORMATION DISCLOSED HEREIN WAS ORIGINATED BY AND IS THE PROPERTY OF MAGTROL SA. MAGTROL SA RESERVES ALL PATENT, PROPRIETARY, DESIGN, USE, SALE, MANUFACTURING AND REPRODUCTION RIGHTS THERETO.



MS3112 E 10-6P



6										
5										
4										
3										
2										
1										
Rev.	Date	PM	Drawn	Appr.	Repl. by :					
					Repl. for: 422-216-000V031 (PM-02086)					
Tolerances: ± mm to 50 mm; ± mm over 50 mm										
Material: 1.4057							Scale		DRAWING N°	
Finish :							1:1		422-216-000V033	
LOAD MEASURING PIN WITH ELECTRONIC 4-20 mA					100kN		DRAWN		DATE	
P/N: 422-216-000-03X					TYPE: LE 216/03X		02.04.03		C.S.	
							08.04.03		N.Buri	



MAGTROL SA

Drawn 02.04.03 C.S.  
Checked  
Approved 08.04.03 N.Buri

422-216-000V033