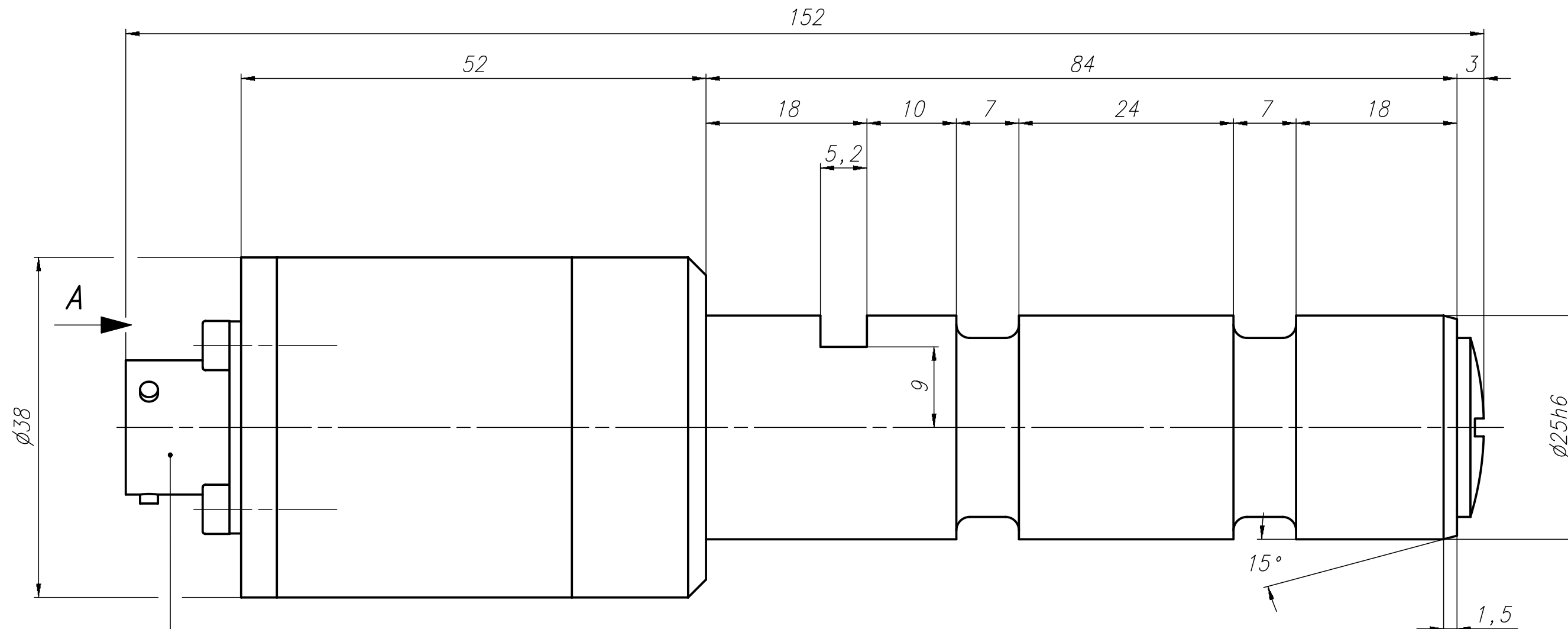
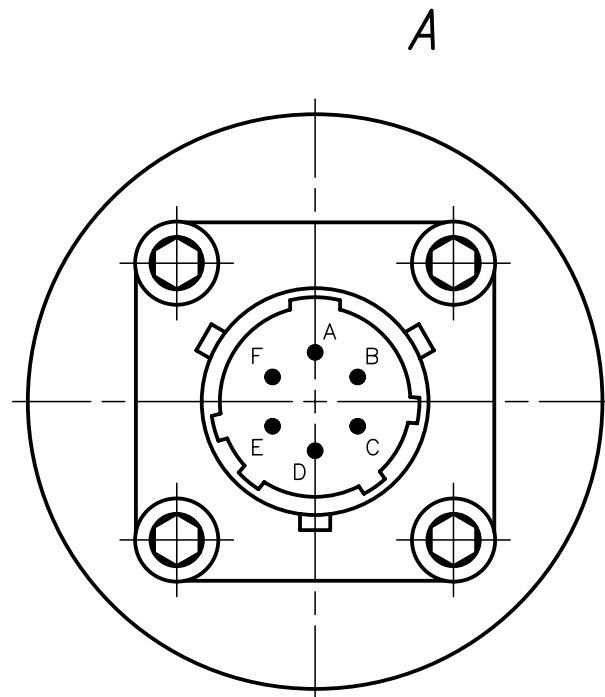
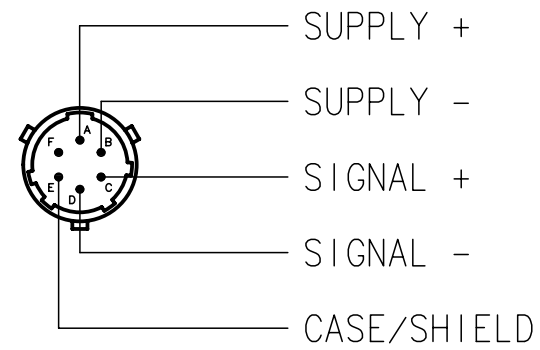


THE INFORMATION DISCLOSED HEREIN WAS ORIGINATED BY AND IS THE PROPERTY OF MAGTROL SA. MAGTROL SA RESERVES ALL PATENT, PROPRIETARY, DESIGN, USE, SALE, MANUFACTURING AND REPRODUCTION RIGHTS THERETO.



MS3112 E 10-6P



|   |      |    |       |       |            |                  |  |                 |          |        |
|---|------|----|-------|-------|------------|------------------|--|-----------------|----------|--------|
| 6   |      |    |       |       |            |                  |  |                 |          |        |
| 5   |      |    |       |       |            |                  |  |                 |          |        |
| 4   |      |    |       |       |            |                  |  |                 |          |        |
| 3   |      |    |       |       |            |                  |  |                 |          |        |
| 2   |      |    |       |       |            |                  |  |                 |          |        |
| 1   |      |    |       |       |            |                  |  |                 |          |        |
| Rev.  | Date | PM | Drawn | Appr. | Repl. by : |                  |  |                 |          |        |
|   |      |    |       |       | Repl. for: |                  |  |                 |          |        |
| Tolerances: ± mm to 50 mm; ± mm over 50 mm    |      |    |       |       |            |                  |  | MAGTROL SA      |          |        |
| Material: 1.4057                              |      |    |       |       |            | Scale 2:1        |  | Drawn           | 19.09.03 | C.S.   |
| Finish :                                      |      |    |       |       |            |                  |  | Checked         |          |        |
|   |      |    |       |       |            |                  |  | Approved        | 19.09.03 | N.Buri |
| LOAD MEASURING PIN WITH ELECTRONIC 0-10V 10kN |      |    |       |       |            | DRAWING N°       |  |                 |          |        |
| P/N: 422-212-000-11X                          |      |    |       |       |            | TYPE: LU 212/11X |  | 422-212-000V111 |          |        |