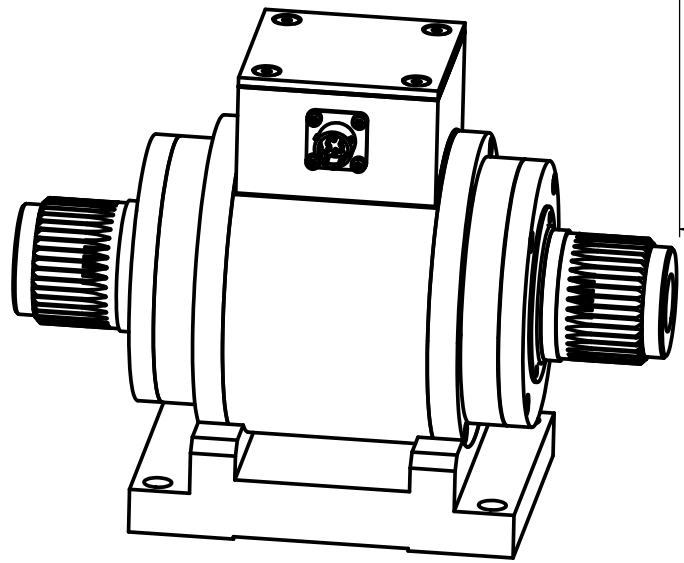
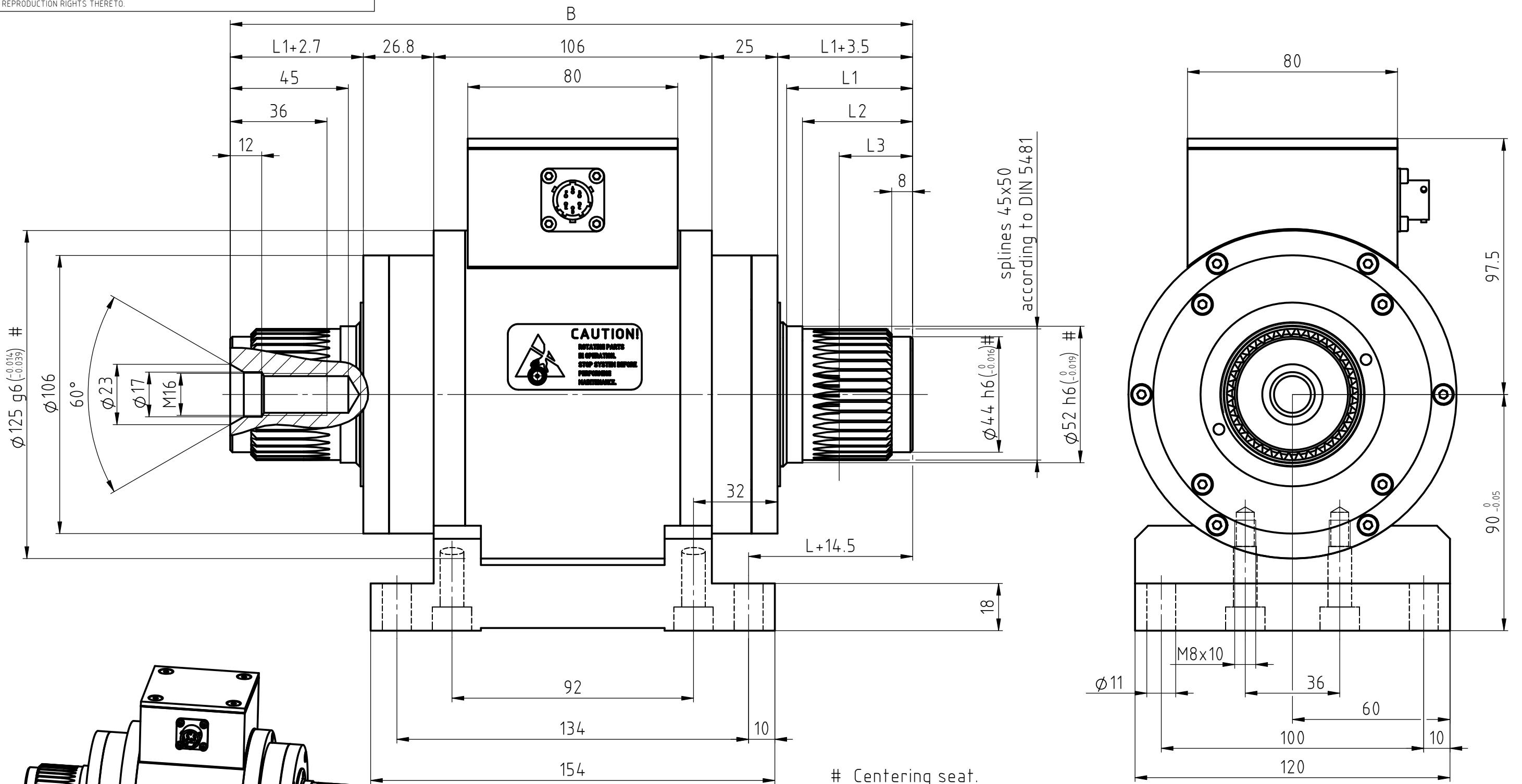


THE INFORMATION DISCLOSED HEREIN WAS ORIGINATED BY AND IS THE PROPERTY OF MAGTROL SA. MAGTROL SA RESERVES ALL PATENT PROPRIETARY, DESIGN, USE, SALE, MANUFACTURING AND REPRODUCTION RIGHTS THERETO.



Scale 1:3

TYPE	P/N	B	L1	L2	L3
TM 314	415-314-000-021	260	48	42	28
TM 315	415-315-000-021	300	68	62	48

# Centering seat.

6					
5					
4					
3					
2					
1					

Rev.	Date	PM	Drawn	Appr.	Repl. by :			
					Repl. for:			
Tolerances: $\pm 0.1$ mm to 50mm, $\pm 0.2$ mm over 50mm							Scale <b>1:1.5</b>	Drawn 06.12.04 J.Sottaz
Material:								Checked 06.12.04 N.Buri
Finish:								Approved 06.12.04 N.Buri
<b>TORQUE TRANSDUCER TM 314 ÷ 315</b> <b>SPLINED SHAFT ENDS</b>							DRAWING N° <b>415-314-000V021</b>	