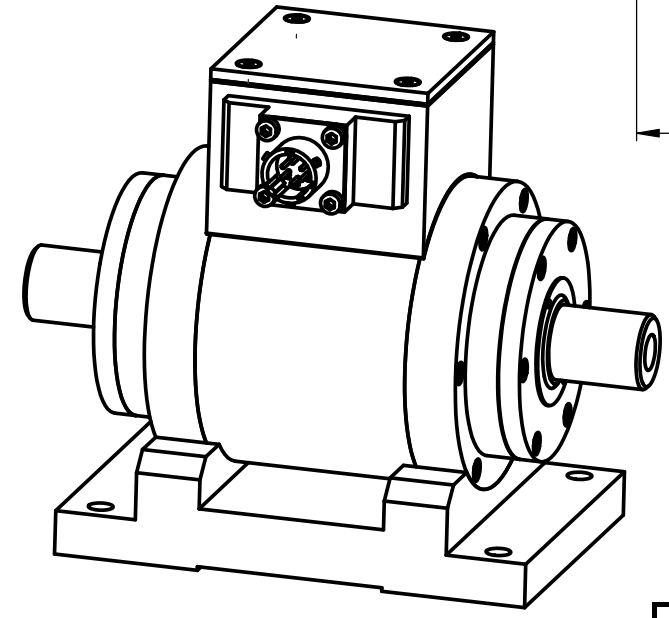
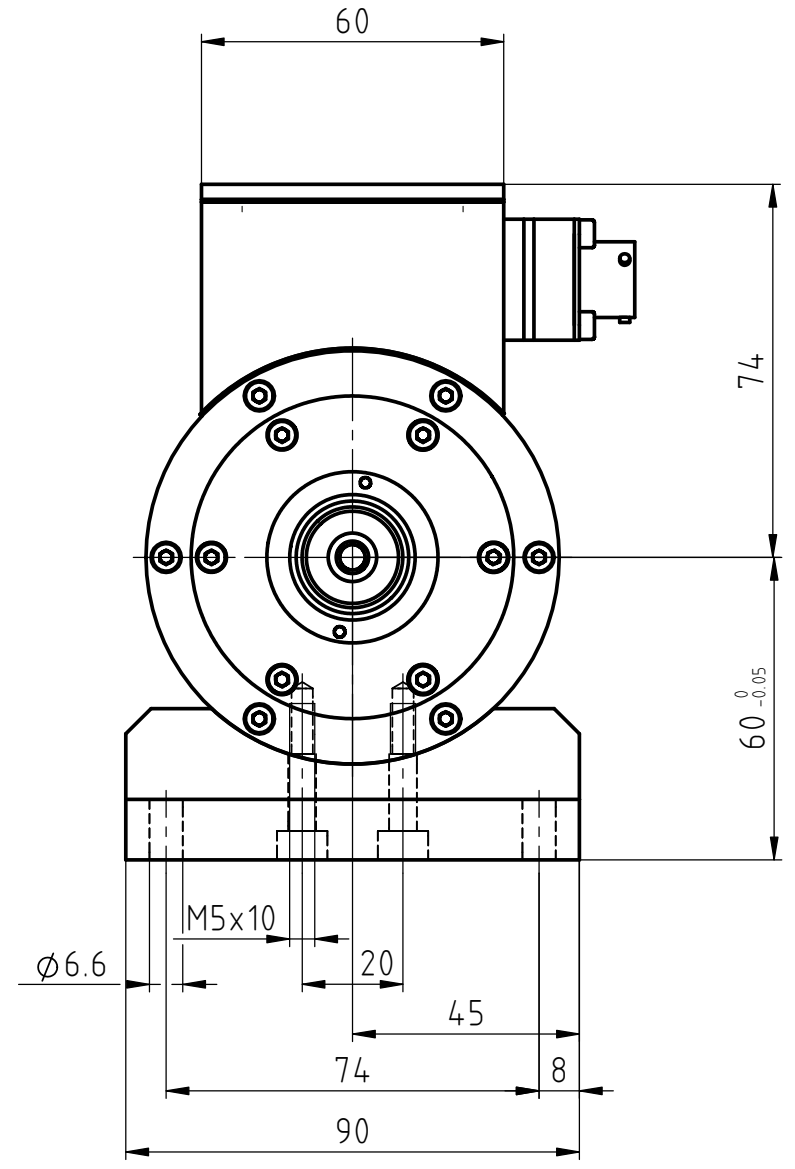
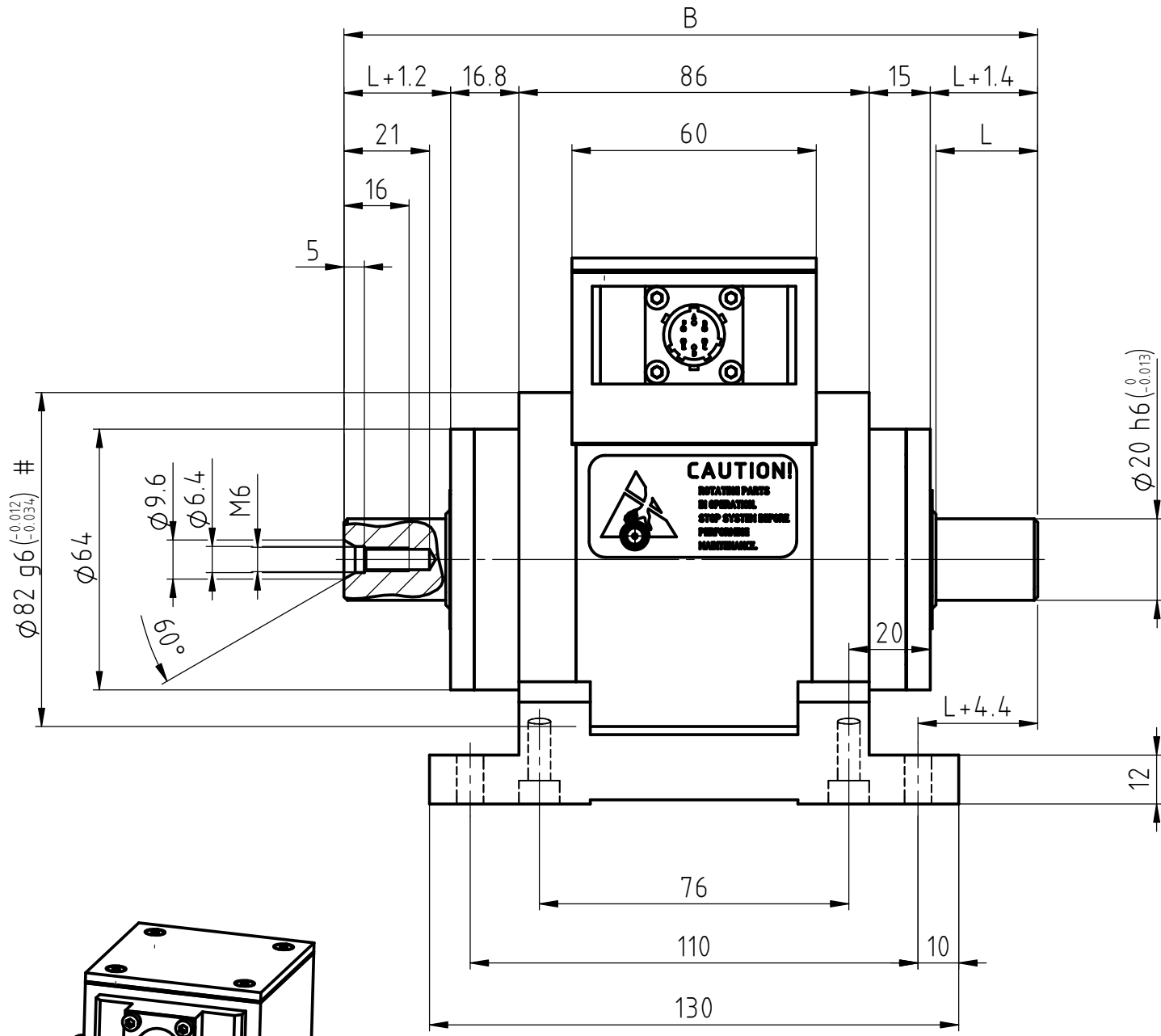


THE INFORMATION DISCLOSED HEREIN WAS ORIGINATED BY AND IS THE PROPERTY OF MAGTROL SA. MAGTROL SA RESERVES ALL PATENT PROPRIETARY, DESIGN, USE, SALE, MANUFACTURING AND REPRODUCTION RIGHTS THERETO.



Scale 1:2

TYPE	P/N	B	L
TM 309	415-309-000-011	170.4	25
TM 310	415-310-000-011	190.4	35
TM 311	415-311-000-011	200.4	40

Centering seat.

6									
5									
4									
3									
2									
1									
Rev.	Date	PM	Drawn	Appr.	Repl. by :				
					Repl. for:				
Tolerances: \pm mm to 50mm, \pm mm over 50mm									
Material:						Scale	Drawn	23.11.04	J.Sottaz
Finish:						1:1.5	Checked		
						Approved	6.12.04	N.Buri	
TORQUE TRANSDUCER TM 309÷311						DRAWING N°			
SMOOTH SHAFT ENDS						415-309-000V011			