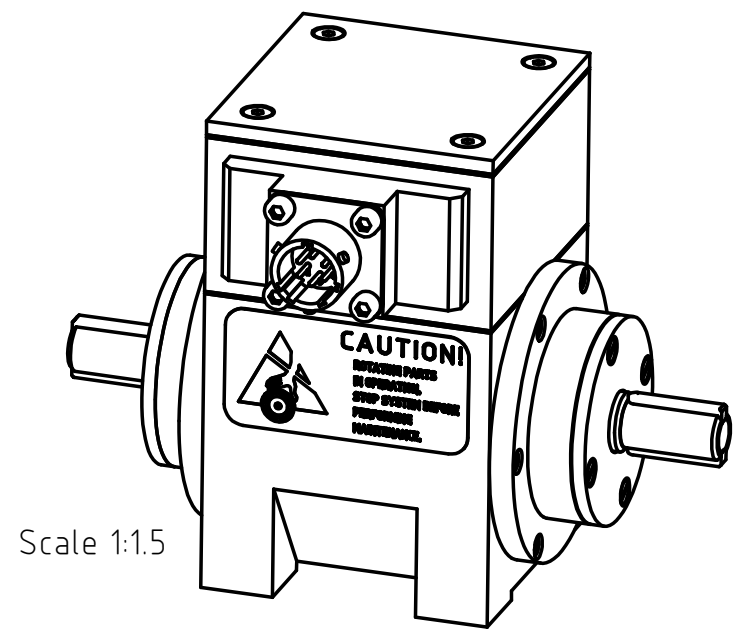
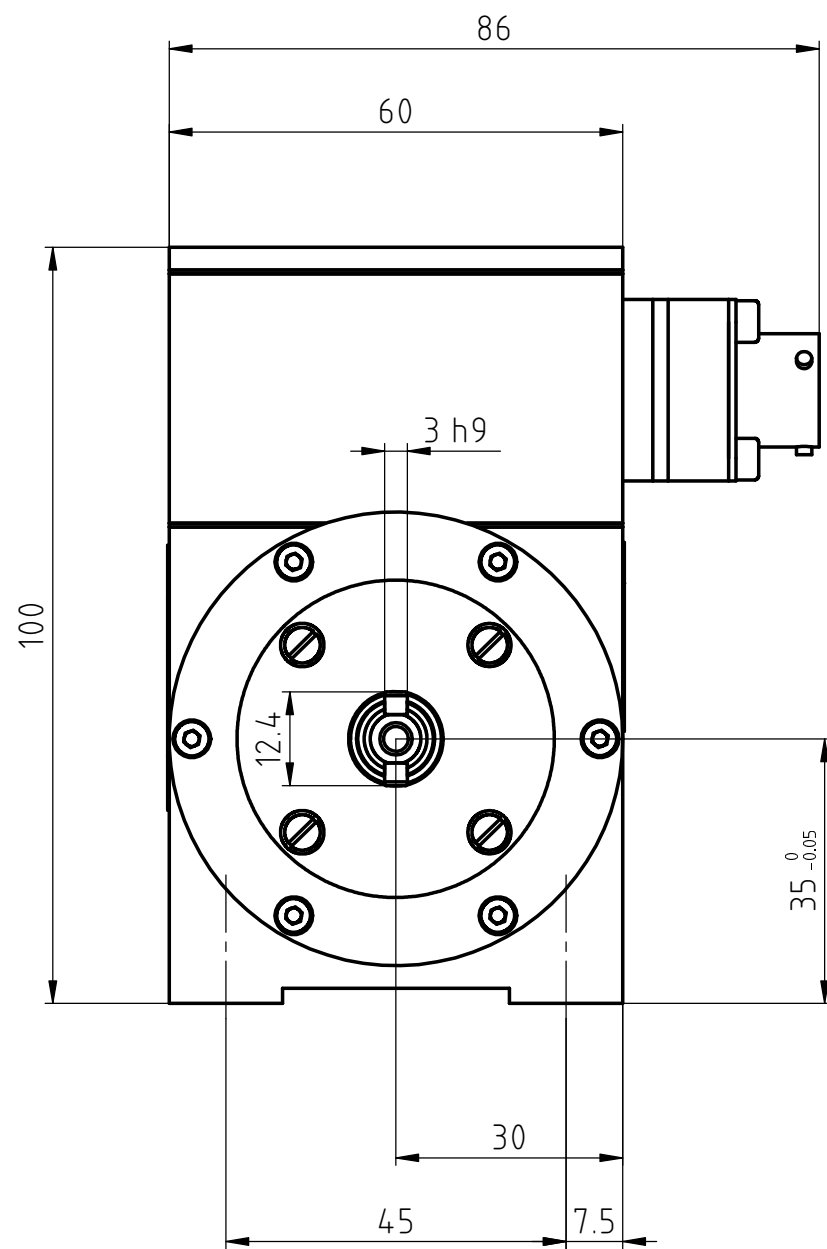
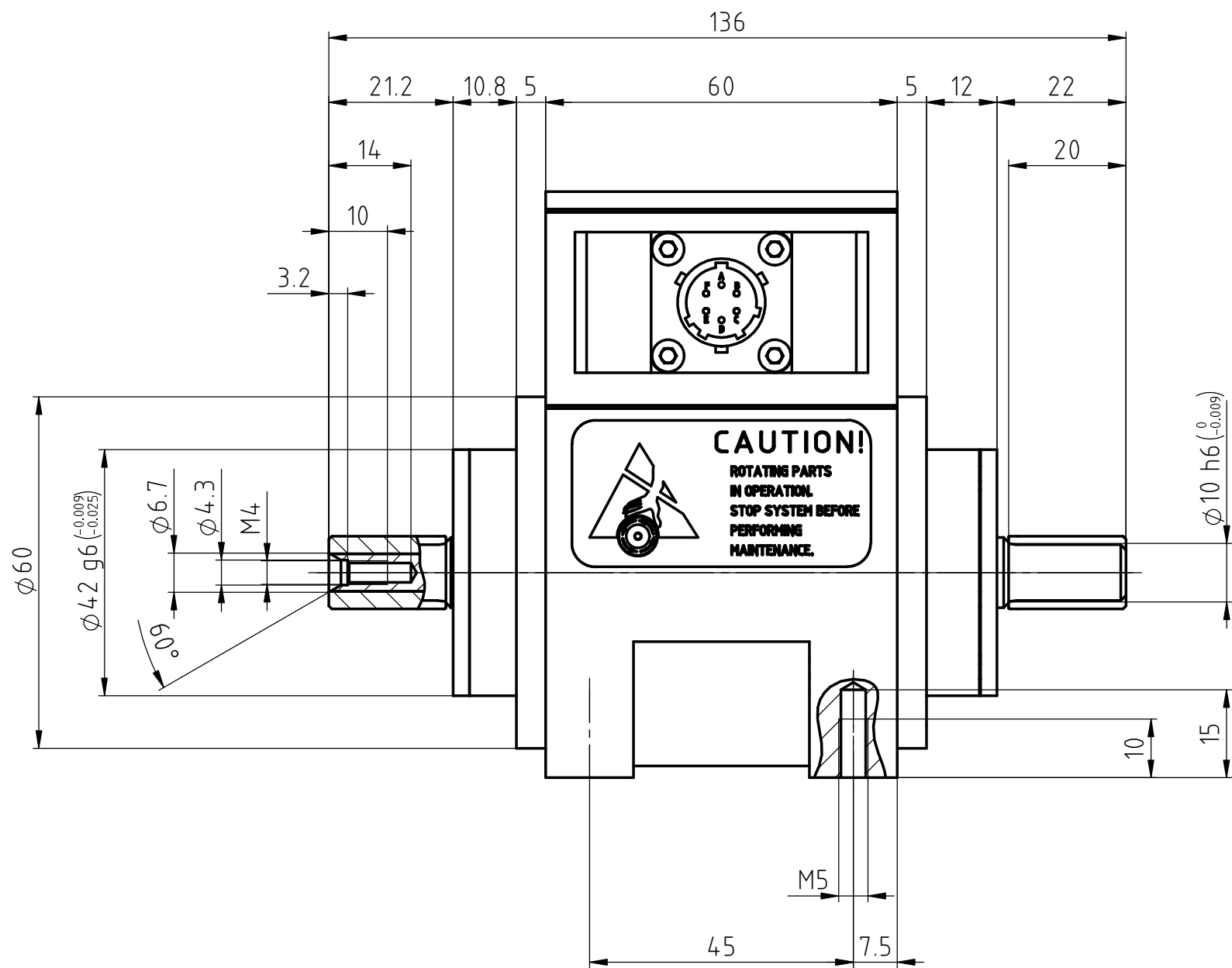


THE INFORMATION DISCLOSED HEREIN WAS ORIGINATED BY AND IS THE PROPERTY OF MAGTROL SA. MAGTROL SA RESERVES ALL PATENT PROPRIETARY, DESIGN, USE, SALE, MANUFACTURING AND REPRODUCTION RIGHTS THERETO.



Scale 1:1.5

|  |          |          |       |       |            |  |  |       |          |          |         |  |  |          |          |        |  |  |
|--|----------|----------|-------|-------|------------|--|--|-------|----------|----------|---------|--|--|----------|----------|--------|--|--|
| 6  |          |          |       |       |            |  |  |       |          |          |         |  |  |          |          |        |  |  |
| 5  |          |          |       |       |            |  |  |       |          |          |         |  |  |          |          |        |  |  |
| 4  |          |          |       |       |            |  |  |       |          |          |         |  |  |          |          |        |  |  |
| 3  |          |          |       |       |            |  |  |       |          |          |         |  |  |          |          |        |  |  |
| 2  |          |          |       |       |            |  |  |       |          |          |         |  |  |          |          |        |  |  |
| 1  |          |          |       |       |            |  |  |       |          |          |         |  |  |          |          |        |  |  |
| Rev.                                     | Date     | PM       | Drawn | Appr. | Repl. by : |  |  |       |          |          |         |  |  |          |          |        |  |  |
|  |          |          |       |       | Repl. for: |  |  |       |          |          |         |  |  |          |          |        |  |  |
| Tolerances: ± mm to 50mm, ± mm over 50mm |          |          |       |       |            |  |  |       |          |          |         |  |  |          |          |        |  |  |
| Material:                                |          |          |       |       |            | Scale 1:1  |  |       |          |          |         |  |  |          |          |        |  |  |
| Finish:                                  |          |          |       |       |            | <table border="1"> <tr> <td>Drawn</td> <td>02.02.06</td> <td>J.Sottaz</td> </tr> <tr> <td>Checked</td> <td></td> <td></td> </tr> <tr> <td>Approved</td> <td>03.02.06</td> <td>N.Buri</td> </tr> </table> |  | Drawn | 02.02.06 | J.Sottaz | Checked |  |  | Approved | 03.02.06 | N.Buri |  |  |
| Drawn                                    | 02.02.06 | J.Sottaz |       |       |            |  |  |       |          |          |         |  |  |          |          |        |  |  |
| Checked                                  |          |          |       |       |            |  |  |       |          |          |         |  |  |          |          |        |  |  |
| Approved                                 | 03.02.06 | N.Buri   |       |       |            |  |  |       |          |          |         |  |  |          |          |        |  |  |
| TORQUE TRANSDUCER TMB 307÷308            |          |          |       |       |            | DRAWING N°   |  |       |          |          |         |  |  |          |          |        |  |  |
| SHAFT ENDS WITH KEYWAYS                  |          |          |       |       |            | 415-307-000V431  |  |       |          |          |         |  |  |          |          |        |  |  |