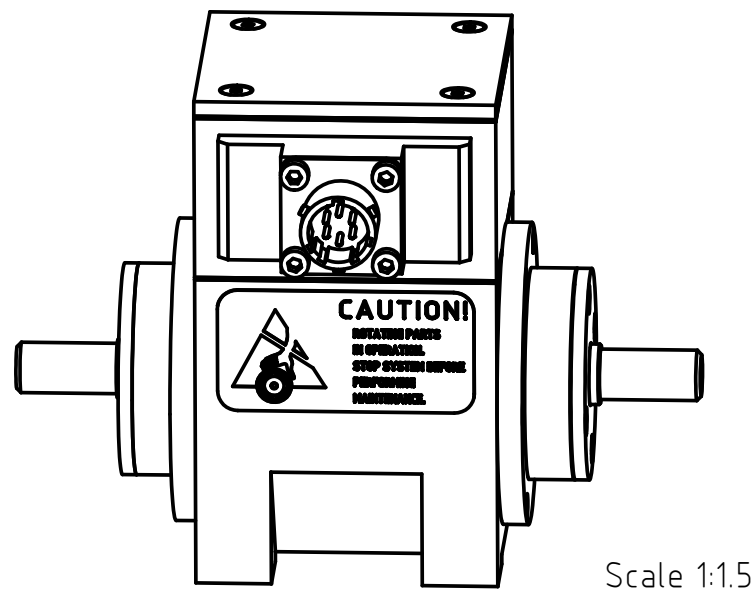
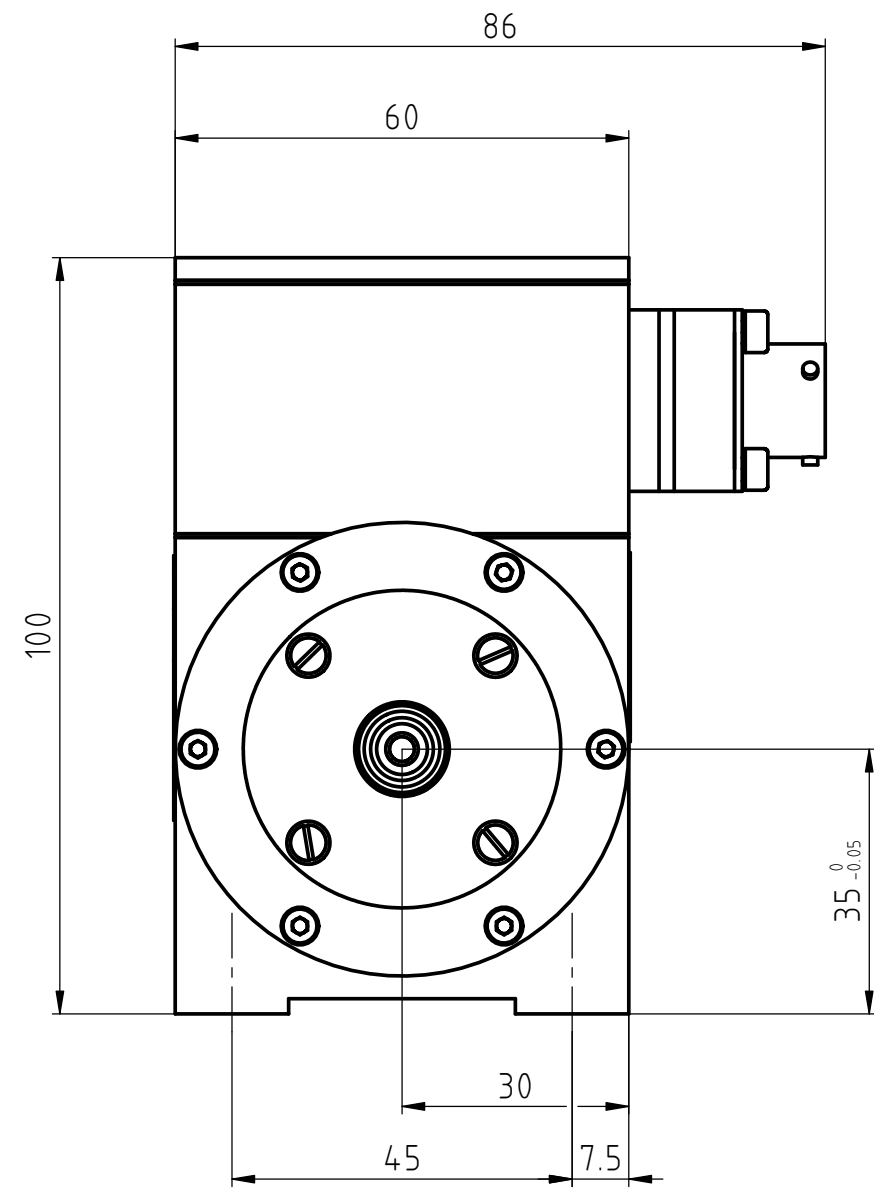
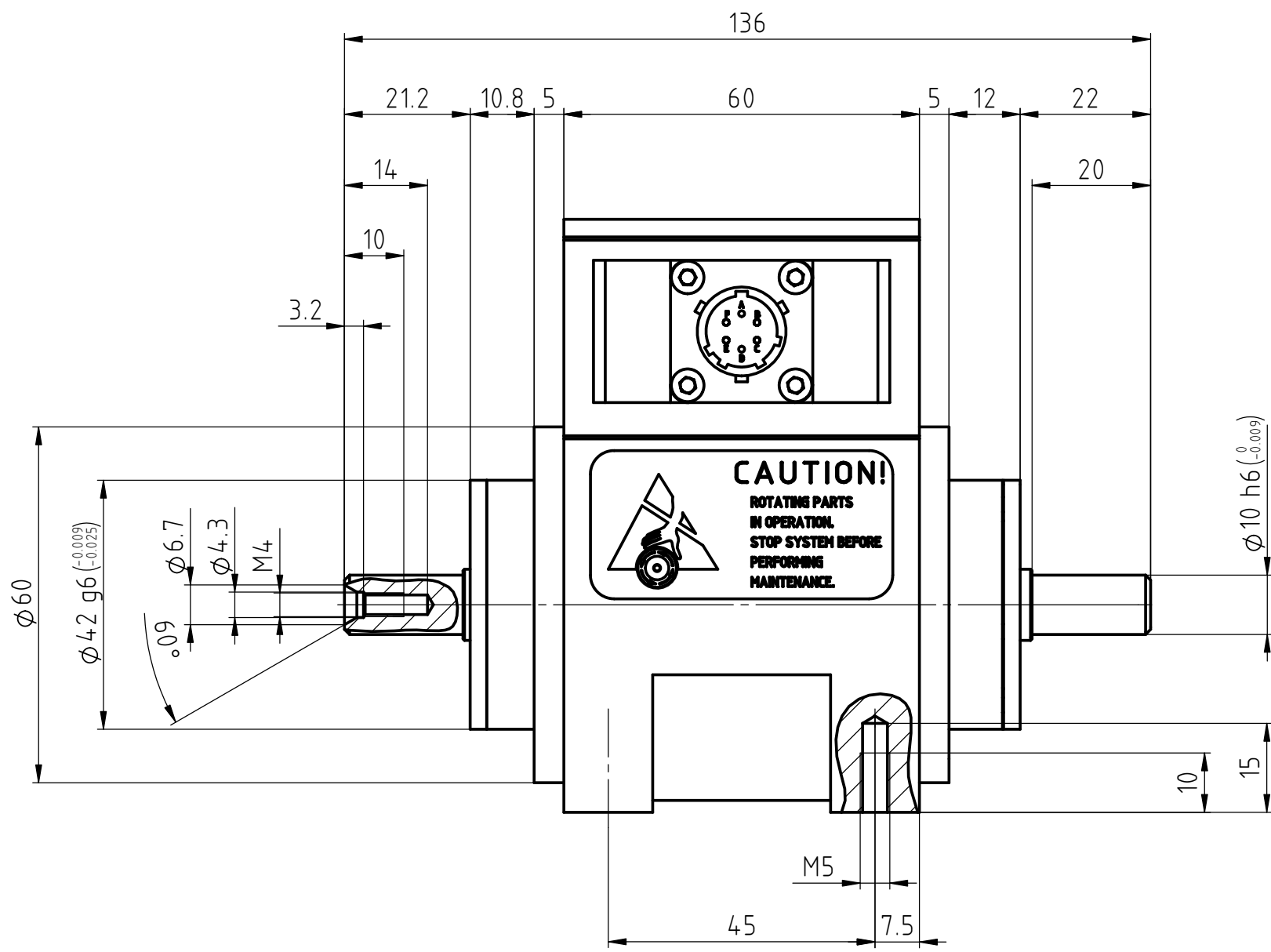


THE INFORMATION DISCLOSED HEREIN WAS ORIGINATED BY AND IS THE PROPERTY OF MAGTROL SA. MAGTROL SA RESERVES ALL PATENT PROPRIETARY, DESIGN, USE, SALE, MANUFACTURING AND REPRODUCTION RIGHTS THERETO.



6									
5									
4									
3									
2									
1									
Rev.	Date	PM	Drawn	Appr.	Repl. by :				
					Repl. for:				
Tolerances: $\pm$ mm to 50mm, $\pm$ mm over 50mm									
Material:									
Finish:									
TORQUE TRANSDUCER TMB 304÷308 SMOOTH SHAFT ENDS						DRAWING N°			
						415-304-000V411			

MAGTROL SA  
SWITZERLAND

Scale 1:1

Drawn	07.12.04	J.Sottaz
Checked		
Approved	07.12.04	N.Buri