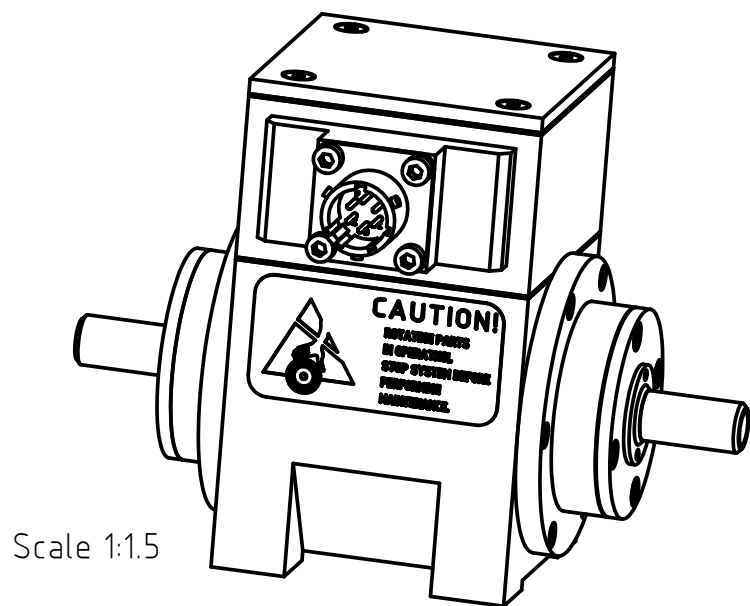
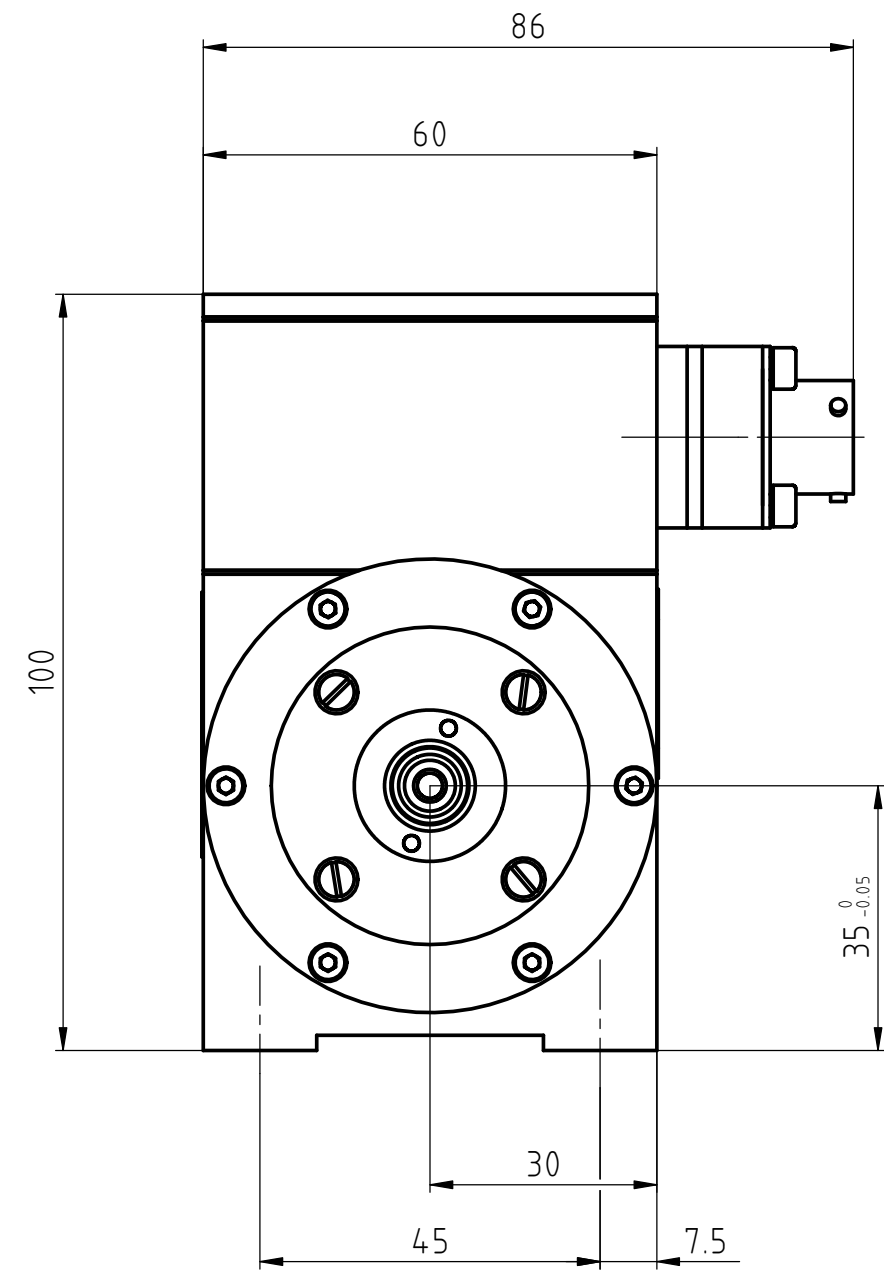
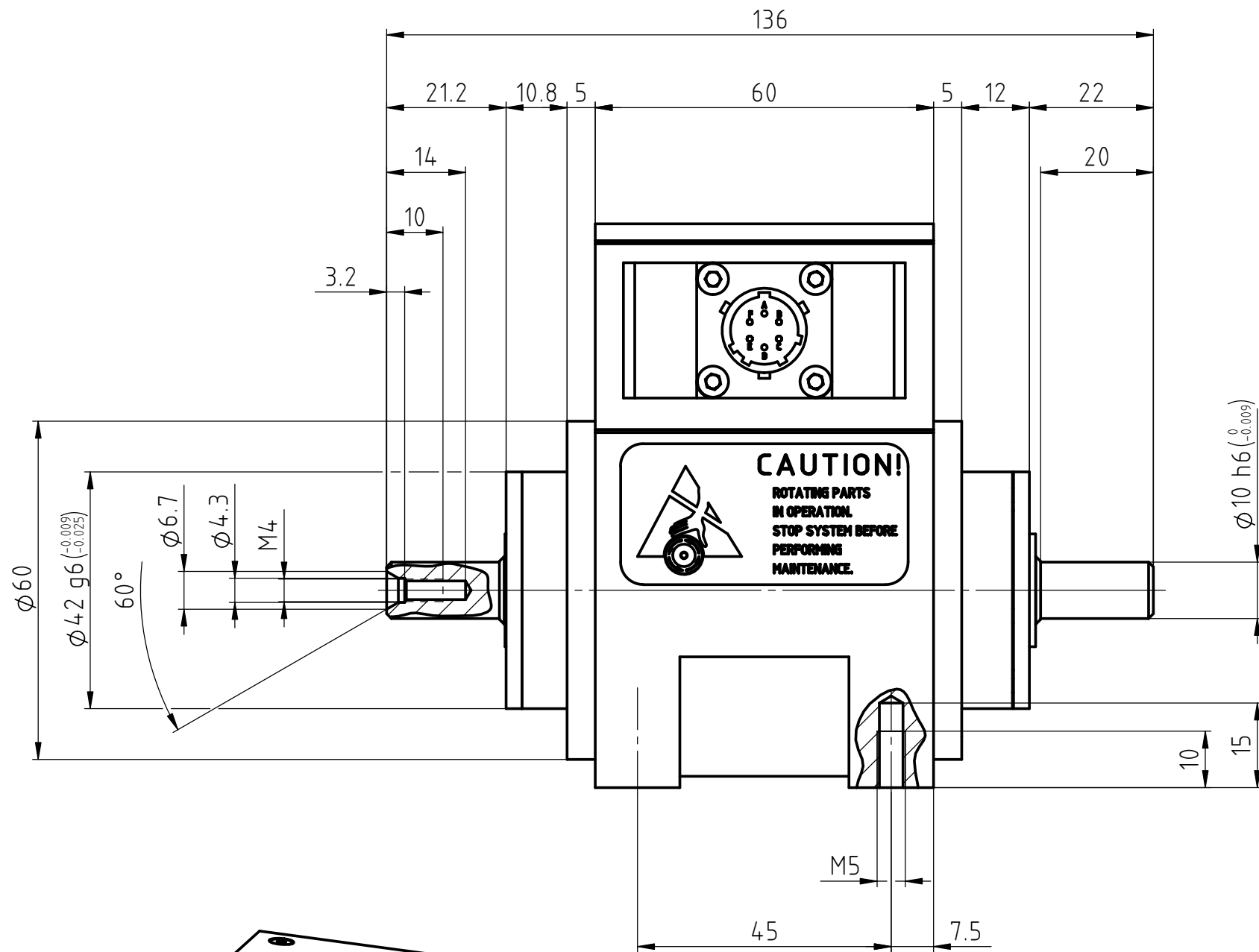


THE INFORMATION DISCLOSED HEREIN WAS ORIGINATED BY AND IS THE PROPERTY OF MAGTROL SA. MAGTROL SA RESERVES ALL PATENT PROPRIETARY, DESIGN, USE, SALE, MANUFACTURING AND REPRODUCTION RIGHTS THERETO.



6									
5									
4									
3									
2									
1									
Rev.	Date	PM	Drawn	Appr.	Repl. by :				
					Repl. for:				
Tolerances: \pm mm to 50mm, \pm mm over 50mm									
Material:						Scale 1:1			
Finish:						Drawn		18.11.04	J.Sottaz
						Checked			
						Approved		6.12.04	N.Buri
TORQUE TRANSDUCER TM 304÷308						DRAWING N°			
SMOOTH SHAFT ENDS						415-304-000V011			