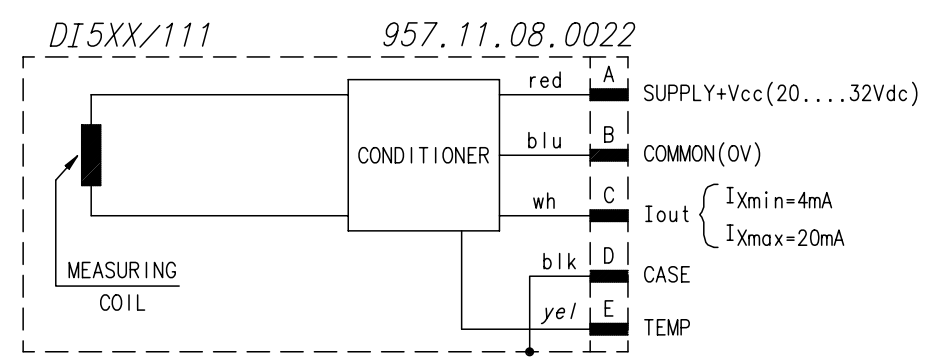
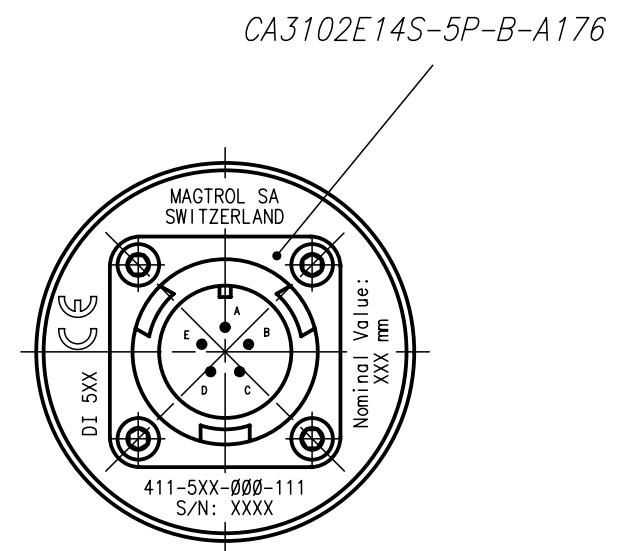
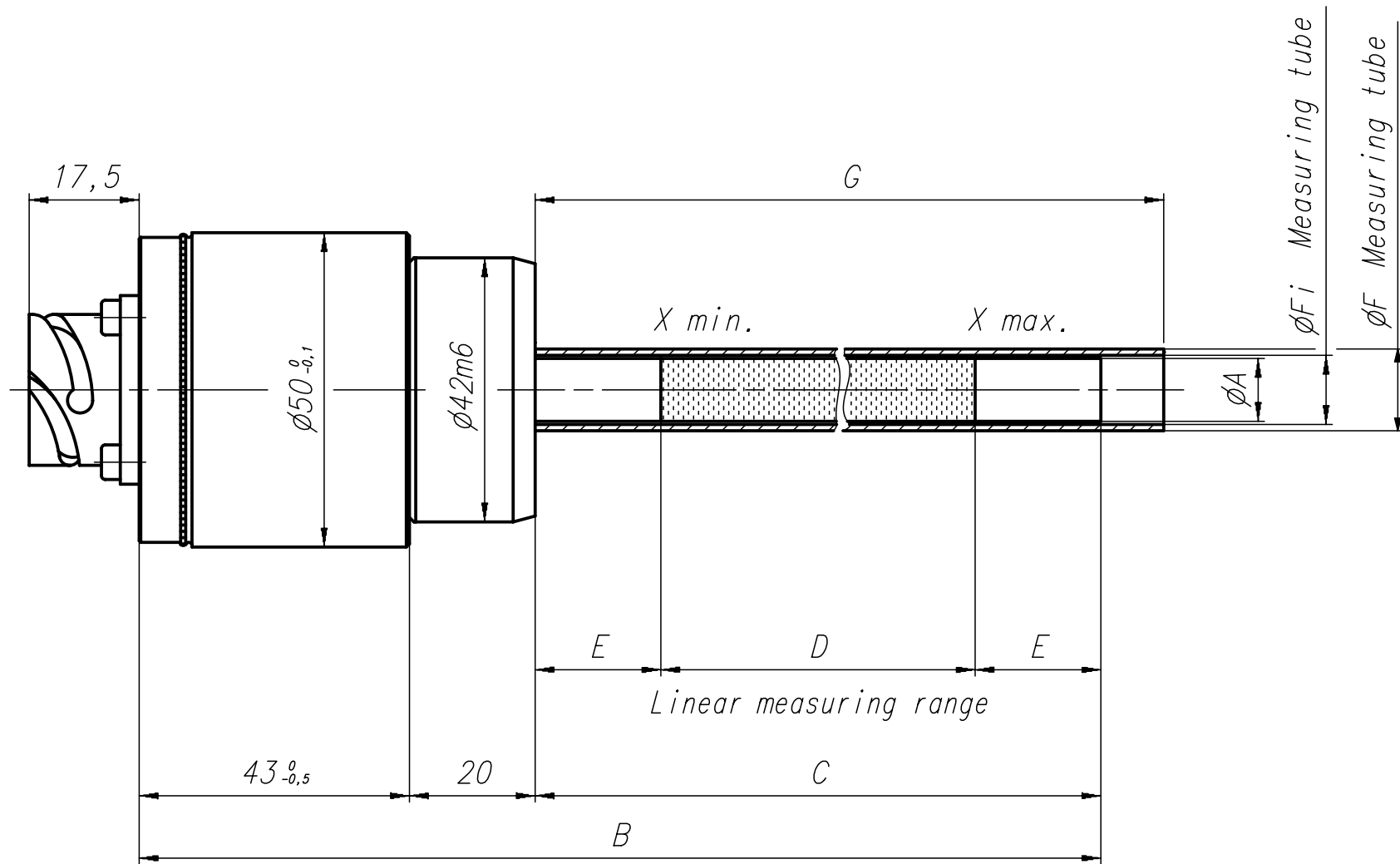


THE INFORMATION DISCLOSED HEREIN WAS ORIGINATED BY AND IS THE PROPERTY OF MAGTROL SA. MAGTROL SA RESERVES ALL PATENT, PROPRIETARY, DESIGN, USE, SALE, MANUFACTURING AND REPRODUCTION RIGHTS THERETO.



ORDERING No	TYPE	ϕA	B	C	D	E	ϕF	ϕFi	G
411-505-000-111	DI 505/111	10	153	90	50	20	13	11	100
411-510-000-111	DI 510/111	10	203	140	100	20	15	12	150
411-511-000-111	DI 511/111	10	263	200	160	20	15	12	210
411-512-000-111	DI 512/111	10	353	290	250	20	15	12	300
411-516-000-111	DI 516/111	10	403	340	300	20	15	12	350

6									
5									
4									
3									
2									
1	11.05.01	00495	C.S.	N.B.	Engraving updated !				
Rev.	Date	PM	Drawn	Appr.	Repl. by :				
					Repl. for :				
Tolerances: \pm mm to 50 mm; \pm mm over 50 mm									
Material:									
Finish :					Scale 1:1		Drawn 14.07.97 Corinne B. Checked 22.09.97 N.Buri Approved 23.09.97 J.Monot		
CONTACTLESS DISPLACEMENT TRANSDUCERS					DRAWING N°				
P/N: 411-5XX-000-111					TYPE: DI 5XX/111				
					411-505-000V111				