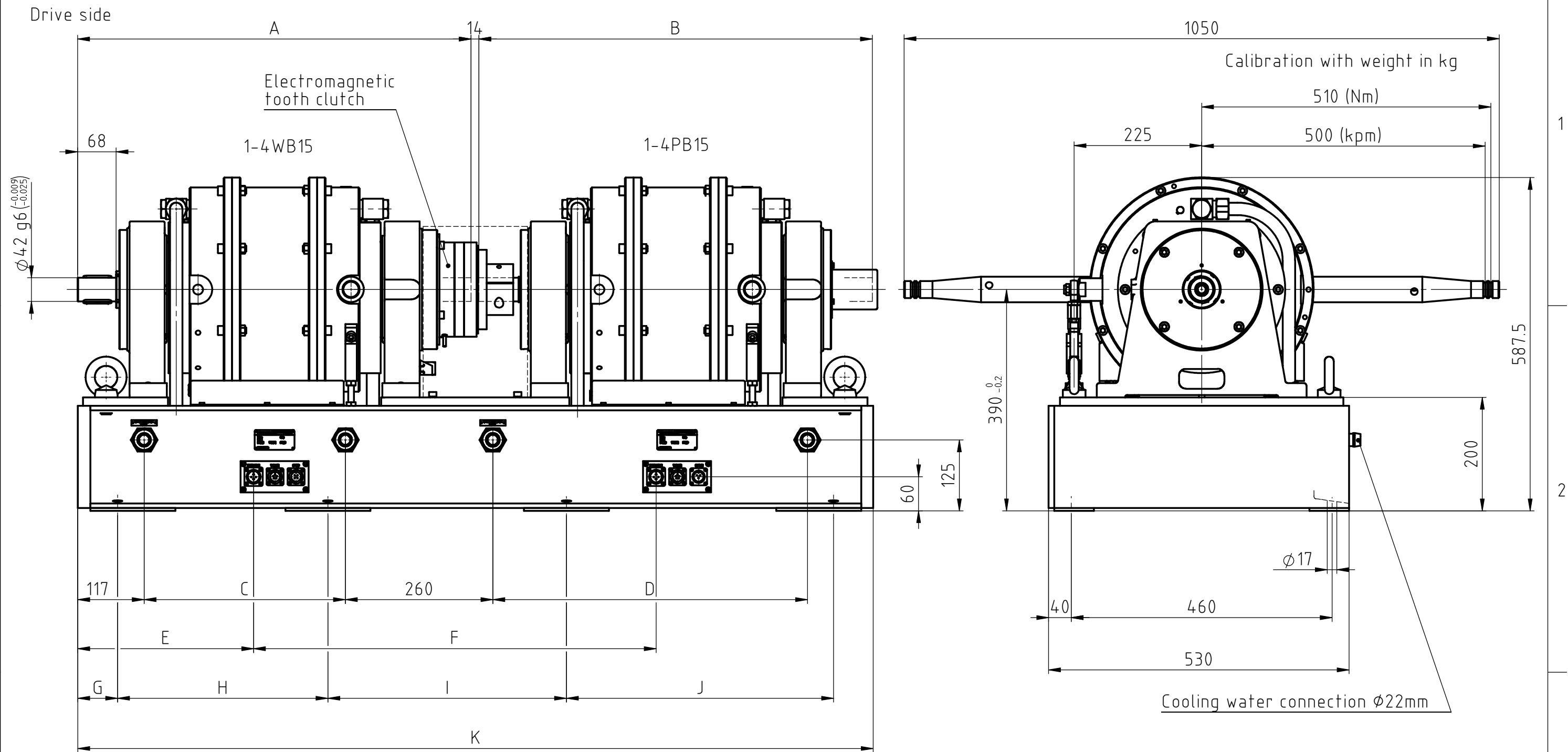


THE INFORMATION DISCLOSED HEREIN WAS ORIGINATED BY AND IS THE PROPERTY OF MAGTROL SA. MAGTROL SA RESERVES ALL PATENT PROPRIETARY, DESIGN, USE, SALE, MANUFACTURING AND REPRODUCTION RIGHTS THERETO.



Tandem Type	A	B	C	D	E	F	G	H	I	J	K
2WB15+EK+1PB15	694	544	355	405	310	635	70	371	371	371	1253
2WB15+EK+2PB15	694	694	355	555	310	710	70	371	421	471	1403
2WB15+EK+4PB15	694	994	355	860	310	860	70	521	521	521	1703
3WB15+EK+2PB15	844	694	505	555	385	785	70	471	471	471	1553
4WB15+EK+1PB15	994	544	650	405	460	785	70	521	421	471	1553
4WB15+EK+2PB15	994	694	650	555	460	860	70	521	521	521	1703
4WB15+EK+4PB15	994	994	650	860	460	1010	80	615	615	615	2003

6														
5														
4														
3														
2														
1	05.10.05	05086	J.Sottaz	N.Buri	Updated with the new load cell ZP-S!									
Rev.	Date	PM	Drawn	Appr.	Repl. by :									
					Repl. for:									
Tolerances: $\pm$ mm to 50mm, $\pm$ mm over 50mm														
Material:						Scale 1:7								
Finish:						<table border="1"> <tr> <td>Drawn</td> <td>11.03.97</td> <td>A.Rappo</td> </tr> <tr> <td>Checked</td> <td></td> <td></td> </tr> <tr> <td>Approved</td> <td></td> <td></td> </tr> </table>	Drawn	11.03.97	A.Rappo	Checked			Approved	
Drawn	11.03.97	A.Rappo												
Checked														
Approved														
Tandem dynamometers					DRAWING N°									
Type 15					334-210-000V051									