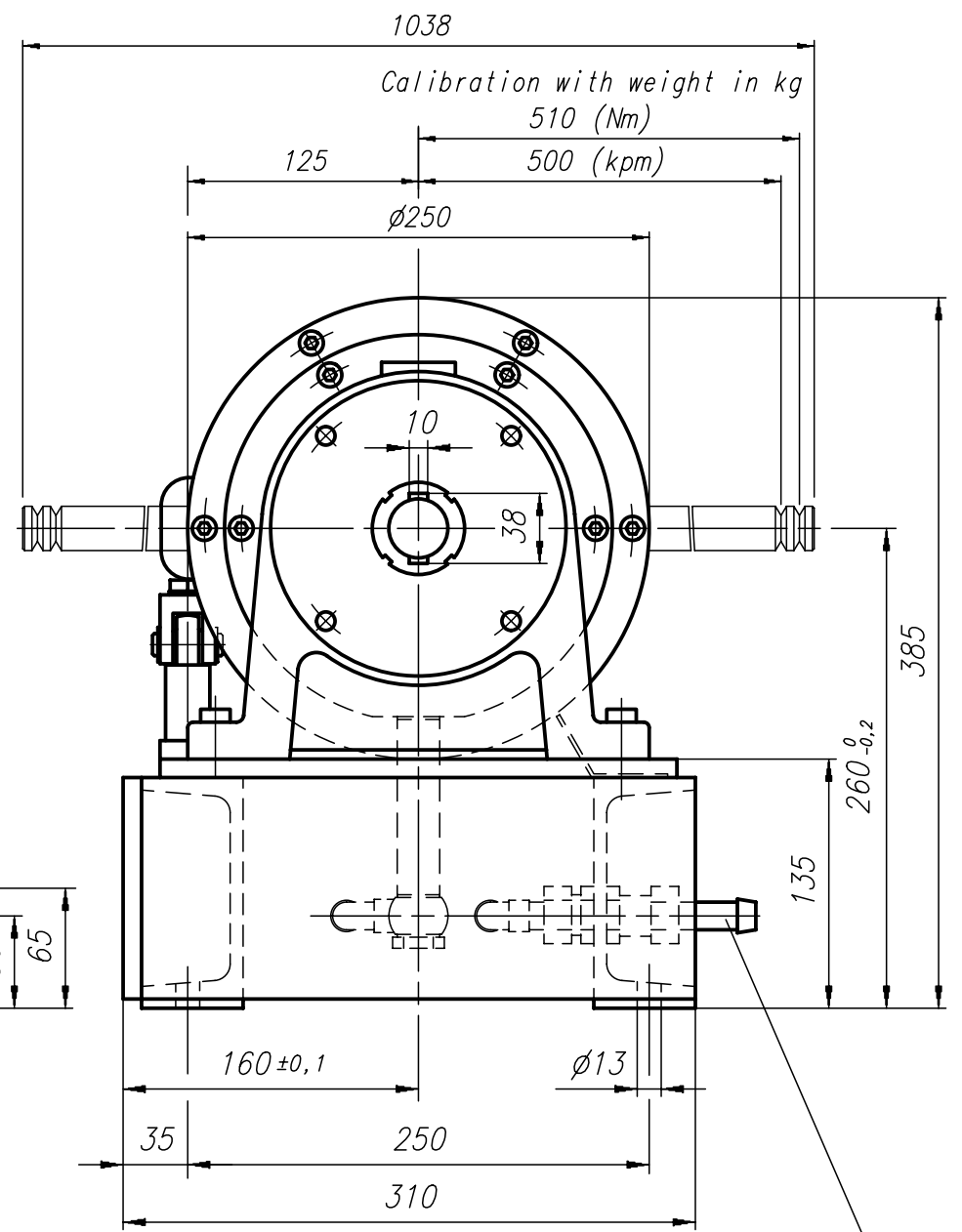
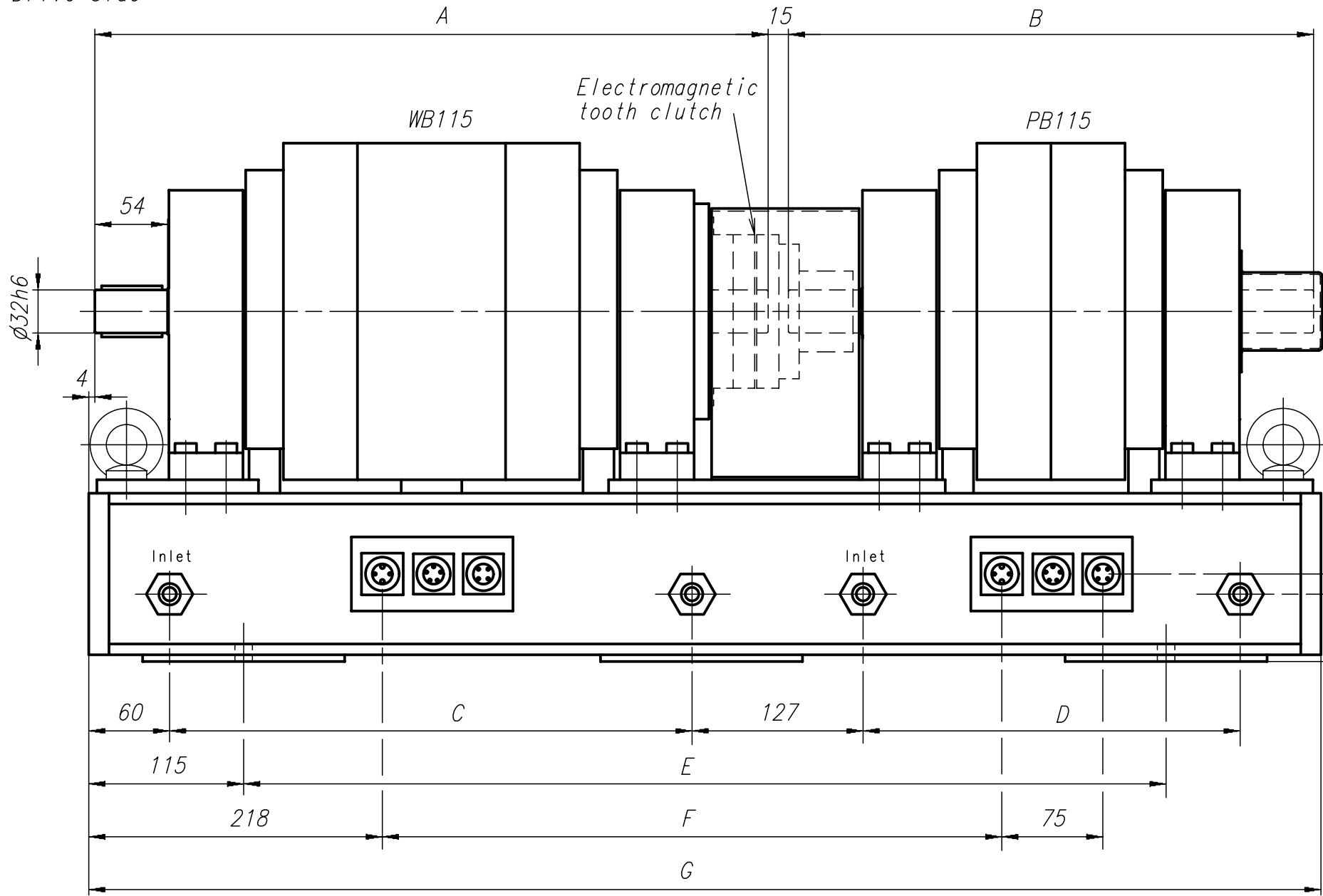


THE INFORMATION DISCLOSED HEREIN WAS ORIGINATED BY AND IS THE PROPERTY OF MAGTROL SA. MAGTROL SA RESERVES ALL PATENT, PROPRIETARY, DESIGN, USE, SALE, MANUFACTURING AND REPRODUCTION RIGHTS THERETO.

Antriebseite
Côté d'entraînement
Drive side



Kühlwasseranschluss
Eau de refroidissement: raccord } $\phi 15mm$
Cooling water: connection

Tandem Type	A	B	C	D	E	F	G
1WB115+EK+1PB115	390	390	278	280	575	405	805
2WB115+EK+1PB115	500	390	388	280	685	460	915
2WB115+EK+2PB115	500	500	388	390	795	515	1025

6										
5										
4										
3										
2										
1	23.9.98	98408	ar	nbur	Mit neuem Typ 1WB115-EK-1PB115					
Rev.	Date	PM	Drawn	Appr.	Repl. by :					
					Repl. for: 333-110-020V011					
Tolerances: \pm mm to 50 mm; \pm mm over 50 mm										
Material:							Scale			
Finish :							Drawn		06.03.97	
							Checked		arap	
							Approved			
Tandem dynamometers Type 115							DRAWING N°			
							333-110-000V012			

A B C D