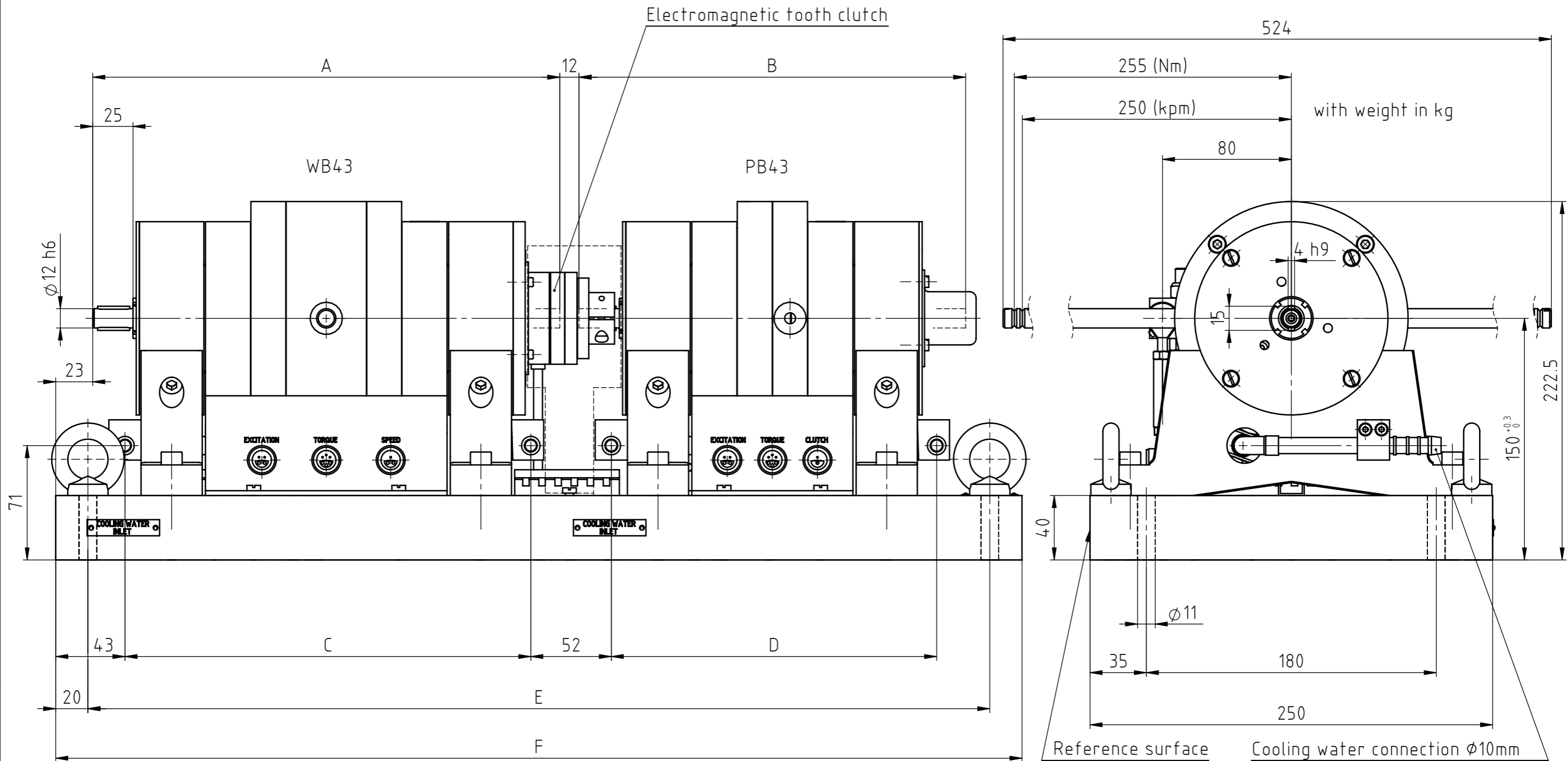


THE INFORMATION DISCLOSED HEREIN WAS ORIGINATED BY AND IS THE PROPERTY OF MAGTROL SA. MAGTROL SA RESERVES ALL PATENT PROPRIETARY, DESIGN, USE, SALE, MANUFACTURING AND REPRODUCTION RIGHTS THERETO.



Tandem Type	A	B	C	D	E	F
1WB43+EK+1PB43	240	240	200	200	510	550
1WB43+EK+2PB43	240	290	200	250	560	600
2WB43+EK+1PB43	290	240	250	200	560	600
2WB43+EK+2PB43	290	290	250	250	610	650

6							
5							
4							
3							
2							
1	05.03.07	07019	J.Sottaz	N.Buri	Updated!		
Rev.	Date	PM	Drawn	Appr.	Repl. by:		
					Repl. for: 331-110-000V011		
Tolerances: ± mm to 50mm, ± mm over 50mm							
Material:						Scale	
Finish:						1:2.5	
Tandem dynamometers Type 43						DRAWING N°	
						331-110-000V021	
					Drawn	27.03.00	A.Rappo
					Checked		
					Approved	29.03.00	N.Buri