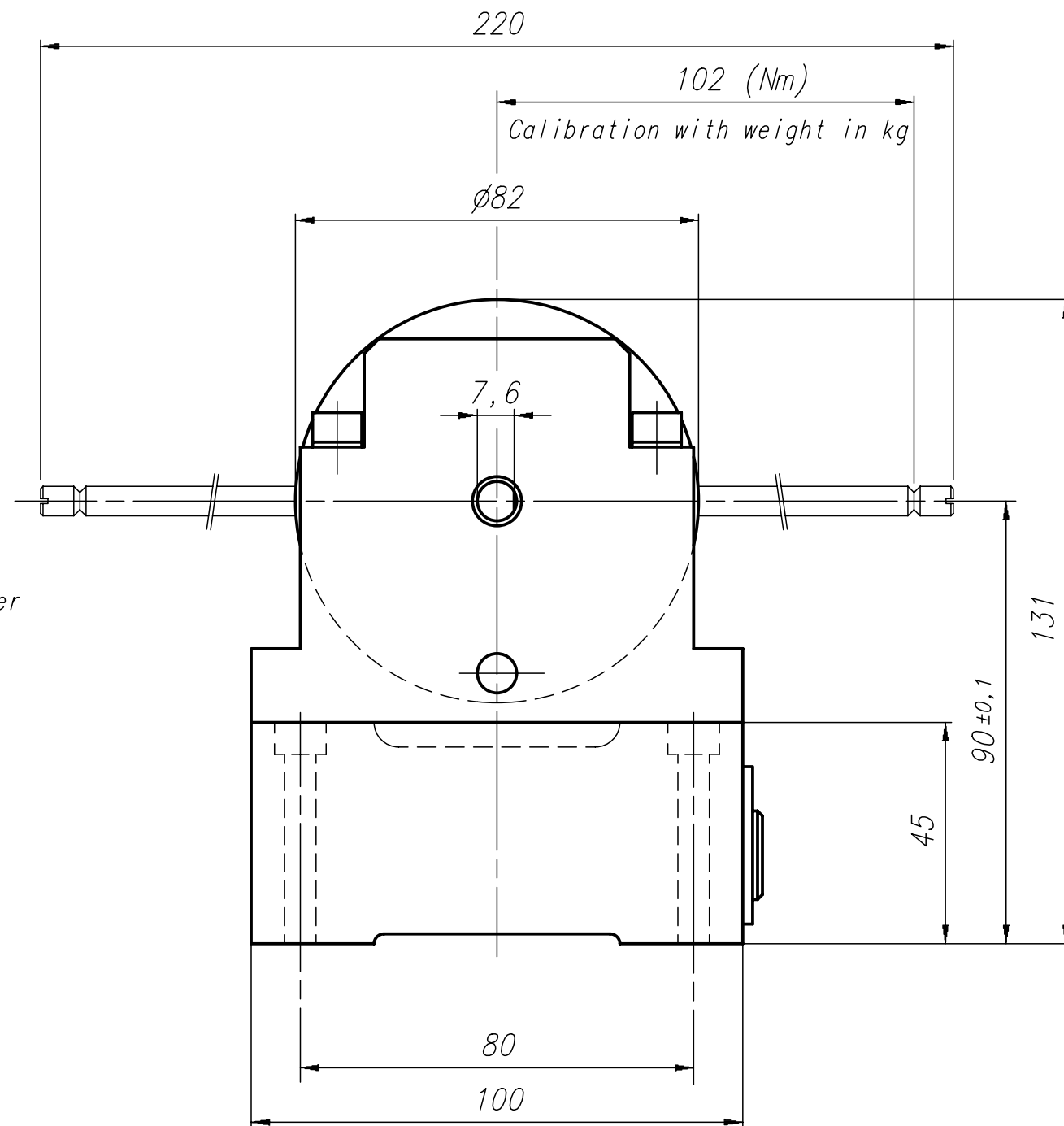
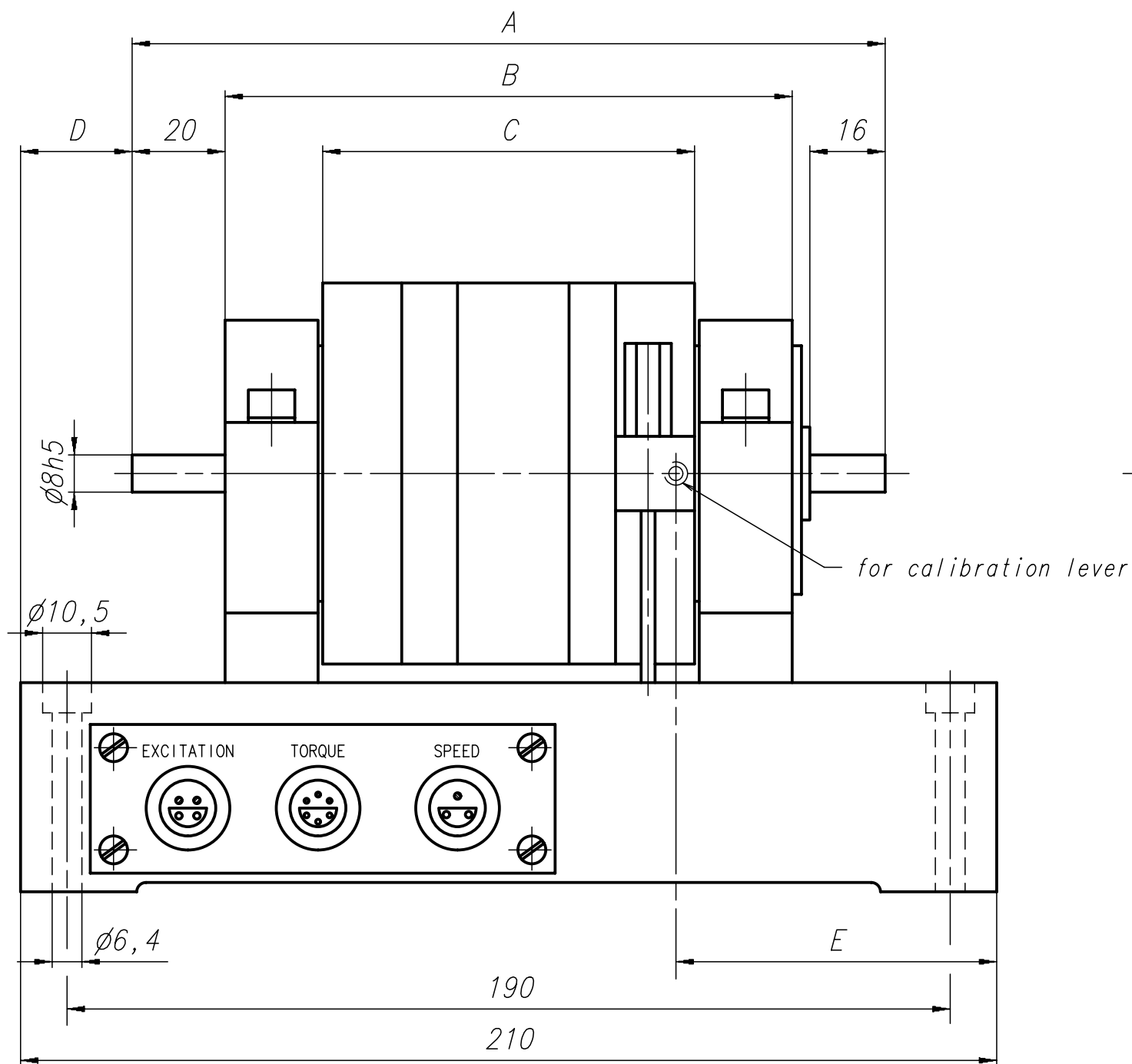


THE INFORMATION DISCLOSED HEREIN WAS ORIGINATED BY AND IS THE PROPERTY OF MAGTROL SA. MAGTROL SA RESERVES ALL PATENT, PROPRIETARY, DESIGN, USE, SALE, MANUFACTURING AND REPRODUCTION RIGHTS THERETO.



Type	A	B	C	D	E
1PB2, 7-8	138	98	56	36	81
2PB2, 7-8	162	122	80	24	69
4PB2, 7-8	210	170	128	--	45

6										
5										
4										
3										
2										
1										
Rev.	Date	PM	Drawn	Appr.	Repl. by :					
					Repl. for: VZB 100-393					
Tolerances: ± mm to 50 mm; ± mm over 50 mm										
Material:						Scale		Drawn	23.11.2001	arap
Finish :								Checked		
								Approved	23.11.2001	nbur
Dynamometers 1-4PB2, 7-8						DRAWING N°				
						325-121-000V051				