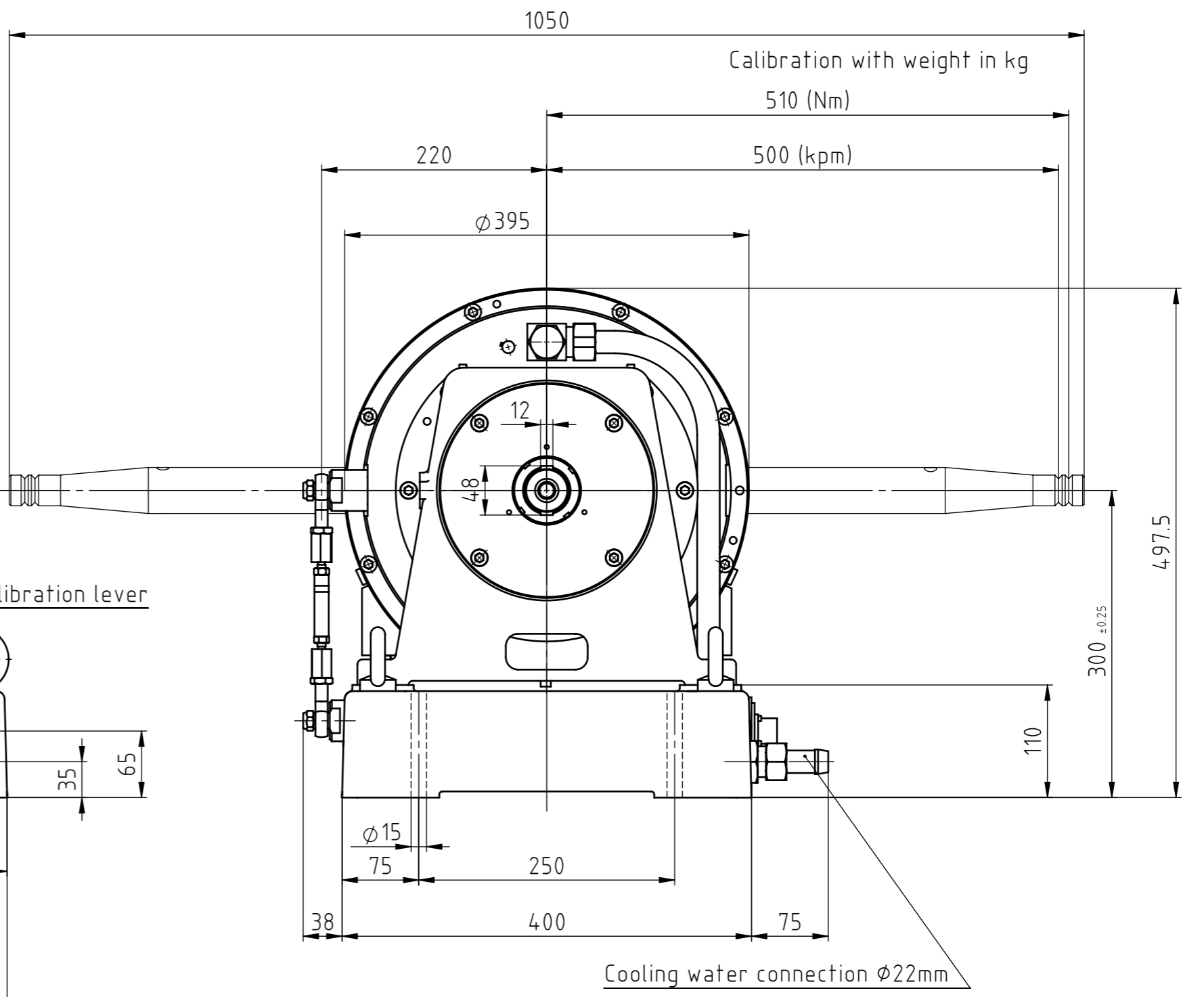
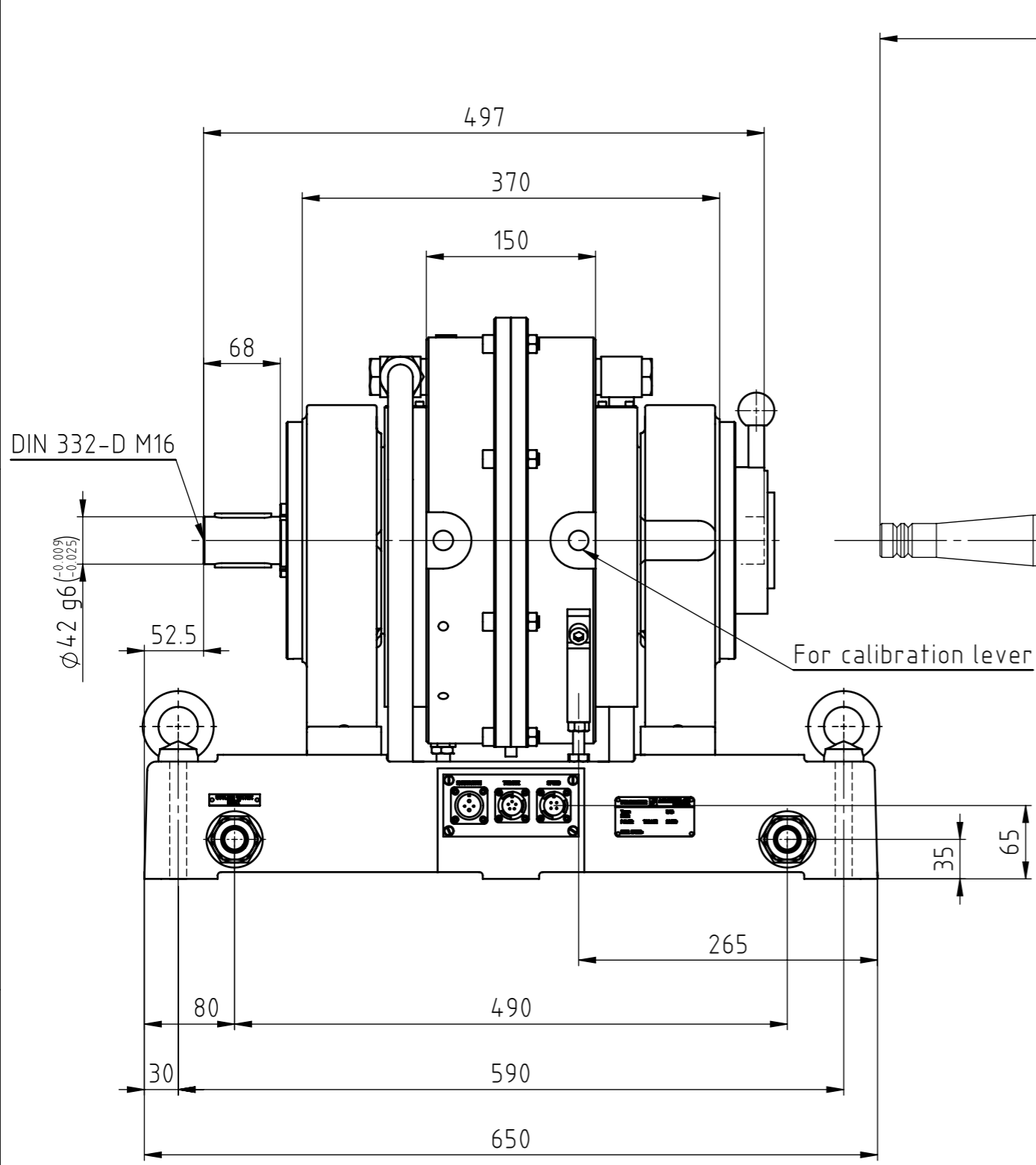


THE INFORMATION DISCLOSED HEREIN WAS ORIGINATED BY AND IS THE PROPERTY OF MAGTROL SA. MAGTROL SA RESERVES ALL PATENT PROPRIETARY, DESIGN, USE, SALE, MANUFACTURING AND REPRODUCTION RIGHTS THERETO.



6									
5									
4									
3									
2									
1	09.09.05	05086	J.Sottaz	N.Buri	Updated with the new load cell ZP-S!				
Rev.	Date	PM	Drawn	Appr.	Repl. by :				
					Repl. for:				
Tolerances: ± mm to 50mm, ± mm over 50mm					Scale 1:5				
Material:					Drawn		10.02.05	J.Sottaz	
Finish:					Checked				
					Approved		11.02.05	N.Buri	
Dynamometers 1WB15-MB							DRAWING N°		
with mechanical rotor blocking device							314-105-000V051		