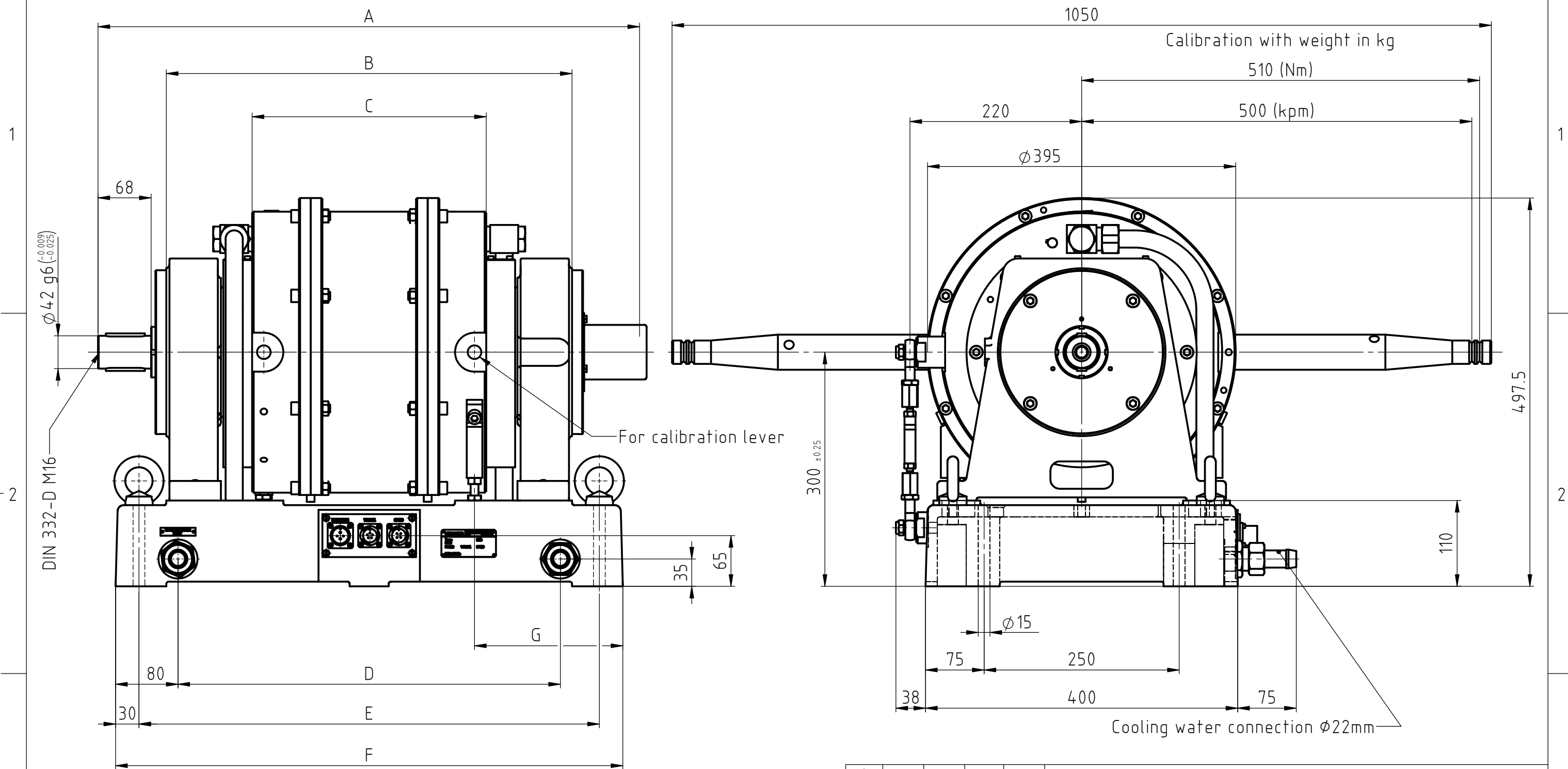


THE INFORMATION DISCLOSED HEREIN WAS ORIGINATED BY AND IS THE PROPERTY OF MAGTROL SA. MAGTROL SA RESERVES ALL PATENT PROPRIETARY, DESIGN, USE, SALE, MANUFACTURING AND REPRODUCTION RIGHTS THERETO.



Type	A	B	C	D	E	F	G	H
1WB 15 / 1PB 15	544	370	150	490	590	650	265	-53
2WB 15 / 2PB 15	694	520	300	490	590	650	190	22
3WB 15 / -----	844	670	450	840	940	1000	290	-78
4WB 15 / 4PB 15	994	820	600	840	940	1000	215	-3

6								
5								
4								
3								
2								
1								
Rev.	Date	PM	Drawn	Appr.	Repl. by :			
					Repl. for: VZB 100-900			
Tolerances: \pm mm to 50mm, \pm mm over 50mm					Scale 1:5			
Material:					Drawn 03.04.97		A.Rappo	
Finish:					Checked			
					Approved			
Dynamometers							DRAWING N°	
1-4WB15 1-4PB15							314-101-000V011	