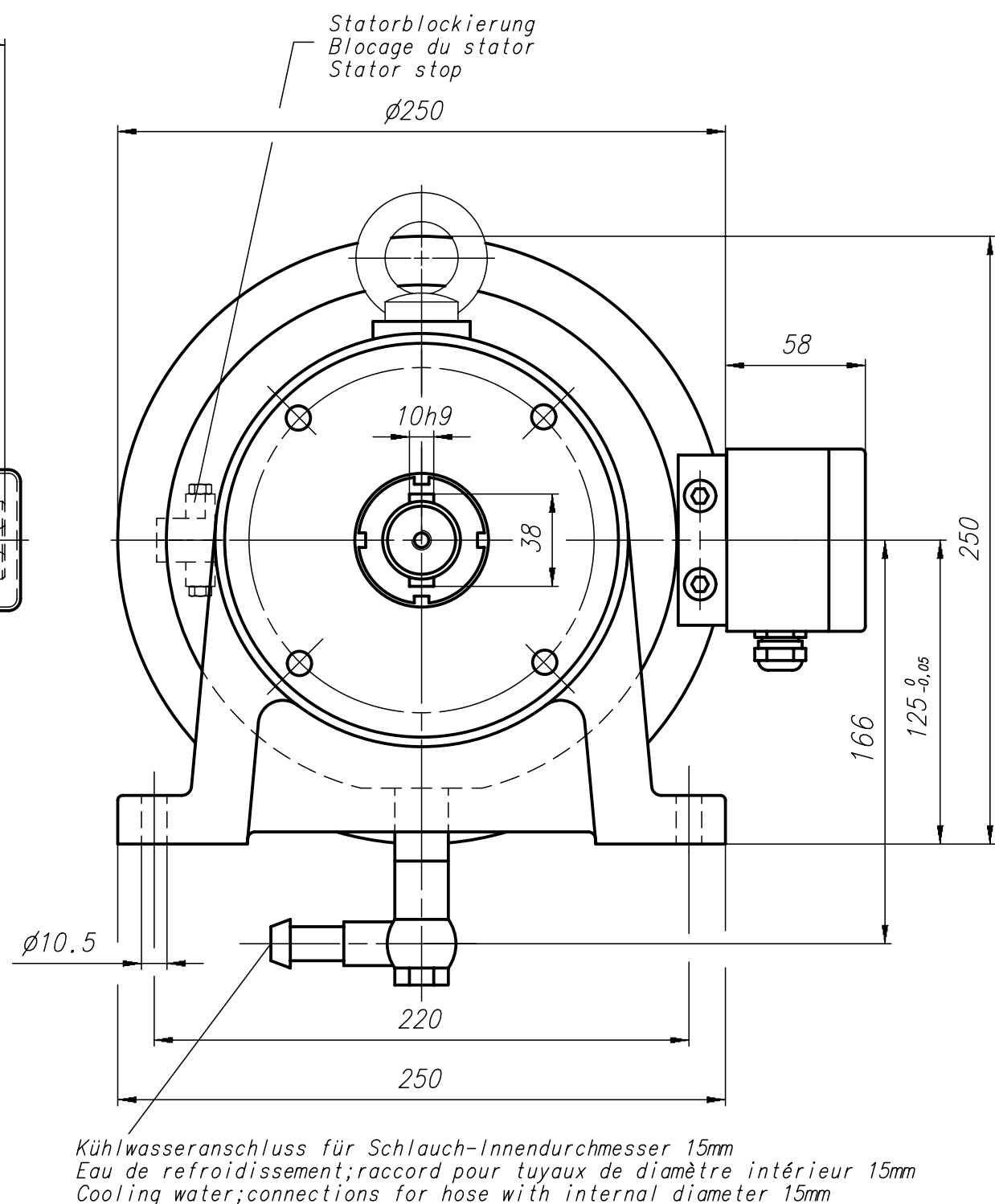
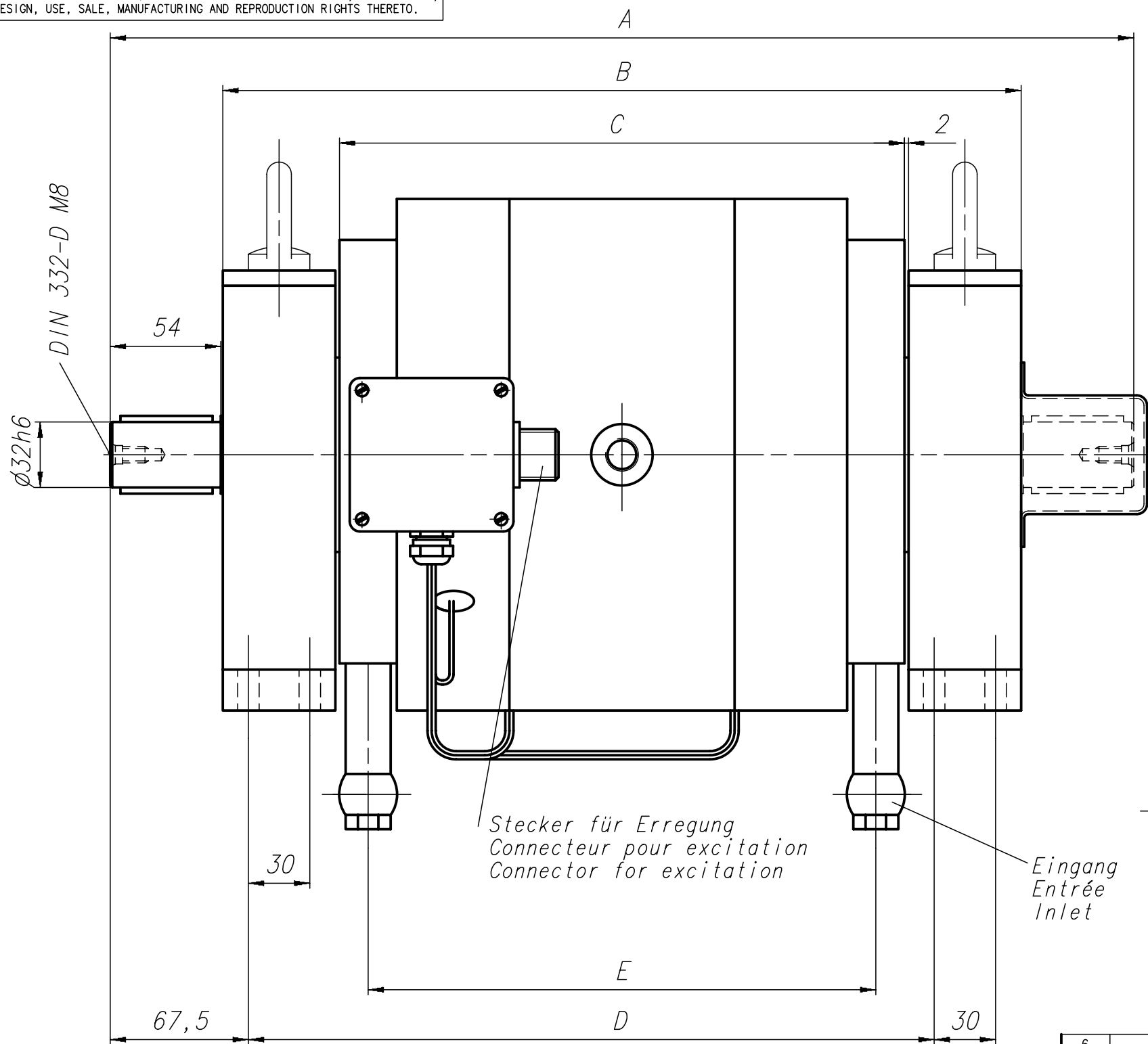


THE INFORMATION DISCLOSED HEREIN WAS ORIGINATED BY AND IS THE PROPERTY OF MAGTROL SA. MAGTROL SA RESERVES ALL PATENT, PROPRIETARY, DESIGN, USE, SALE, MANUFACTURING AND REPRODUCTION RIGHTS THERETO.



TYPE	A	B	C	D	E
1WB115-IS 1PB115-IS	390	280	166	225	138
2WB115-IS 2PB115-IS	500	390	276	335	248

6										
5										
4										
3										
2										
1	30.10.98	98478	ar	nbur	Neu mit Anschlussdose					
Rev.	Date	PM	Drawn	Appr.	Repl. by :					
					Repl. for:					
Tolerances: \pm mm to 50 mm; \pm mm over 50 mm										
Material:							Scale	Drawn	6.5.91	Giroud
Finish :								Checked		
								Approved	6.5.91	arap
Dynamometers 1+2WB115-IS 1+2PB115-IS							DRAWING N°			
							313-104-000V021			