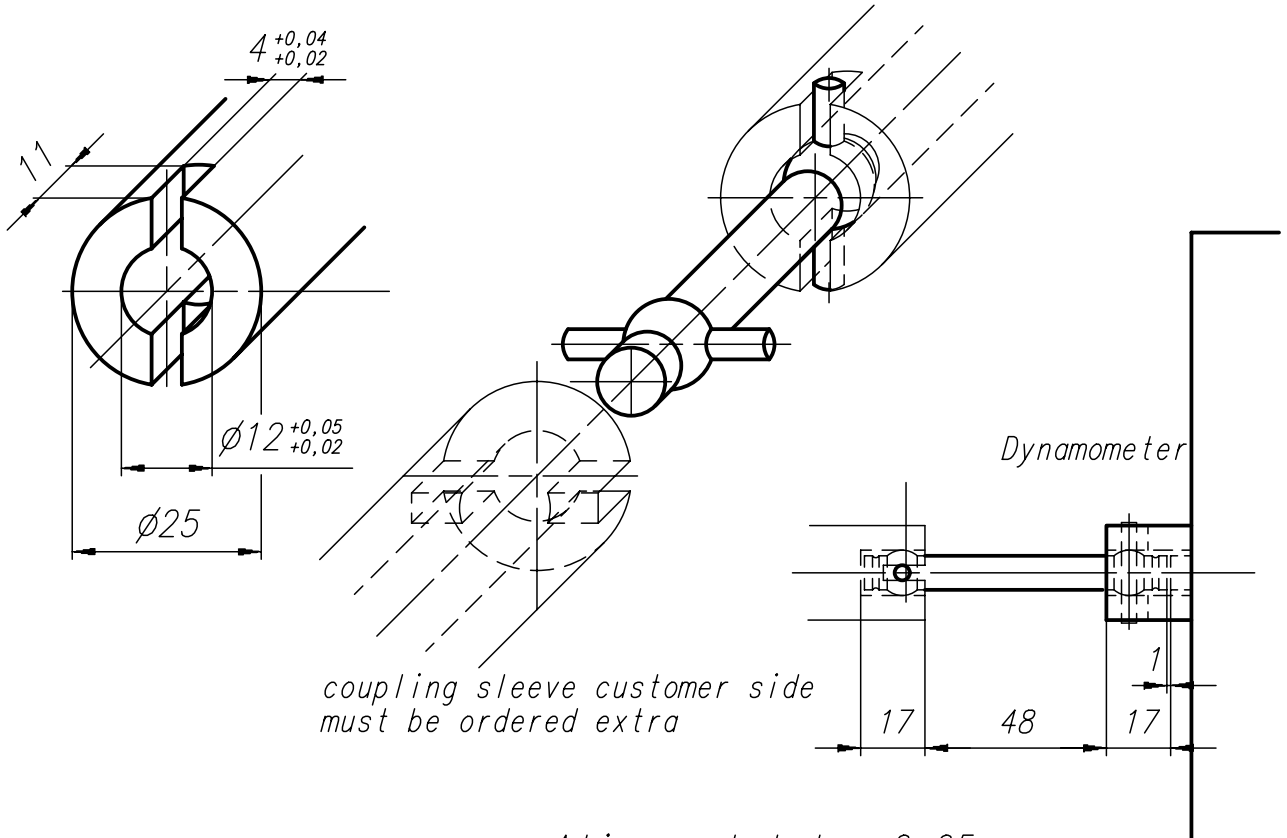
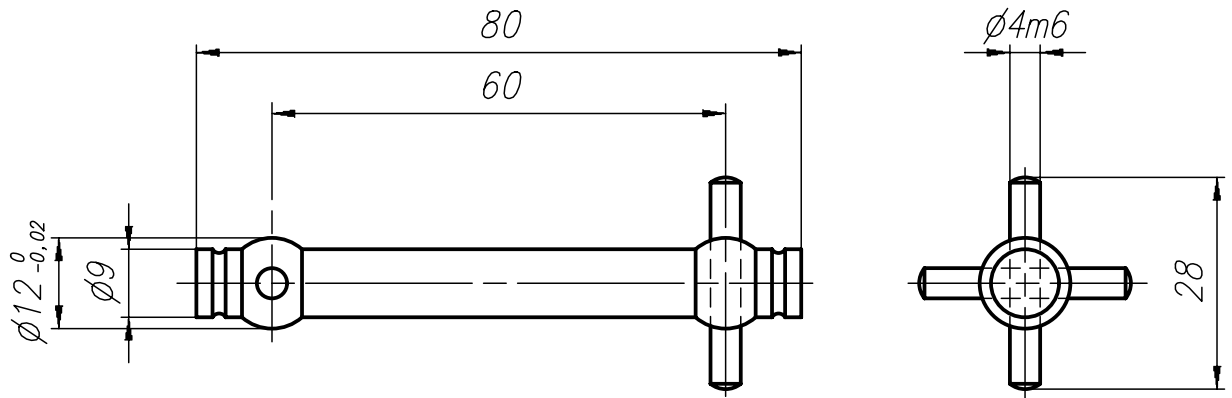


THE INFORMATION DISCLOSED HEREIN WAS ORIGINATED BY AND IS THE PROPERTY OF MAGTROL SA. MAGTROL SA RESERVES ALL PATENT, PROPRIETARY, DESIGN, USE, SALE, MANUFACTURING AND REPRODUCTION RIGHTS THERETO.



coupling sleeve customer side must be ordered extra

*Alignment tol. = 0,05mm
X- and Y-direction
Customer side:
Coupling must be balanced
quality Q1 (to be done by customer)*

*Torque continuous 20Nm
maximum 40Nm
Speed max. 60'000rpm*

6					
5					
4					
3					
2					
1					

Rev.	Date	PM	Drawn	Appr.	Repl. by :
					Repl. for :

Tolerances: ± mm to 50 mm; ± mm over 50 mm

Material:

Finish :

MAGTROL SA

Scale	1:1	Drawn	07.09.2000	arap
		Checked		
		Approved		

**Coupling for High-speed
WB65-HS**

DRAWING N°
312-111-222V011

A

B