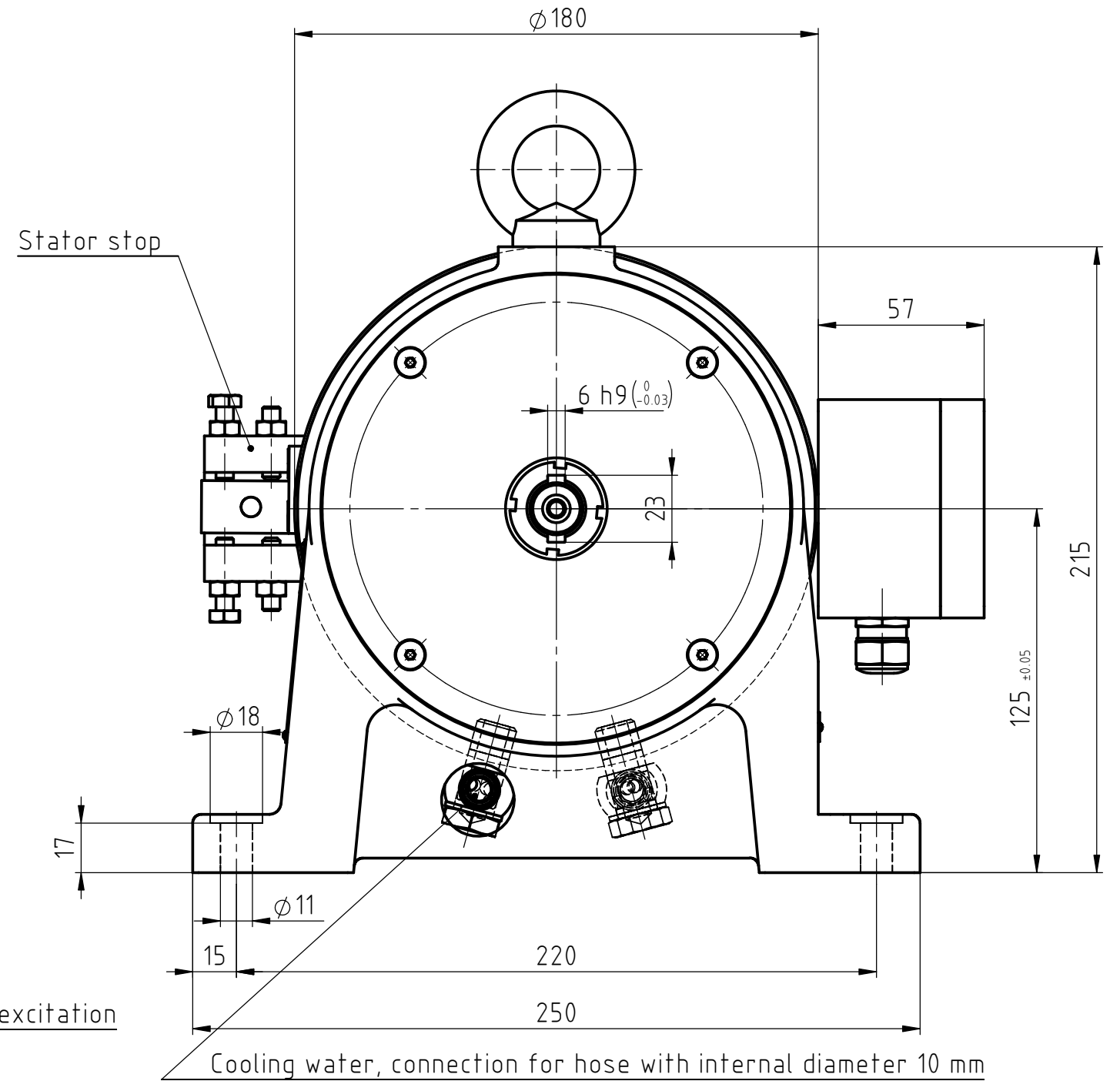
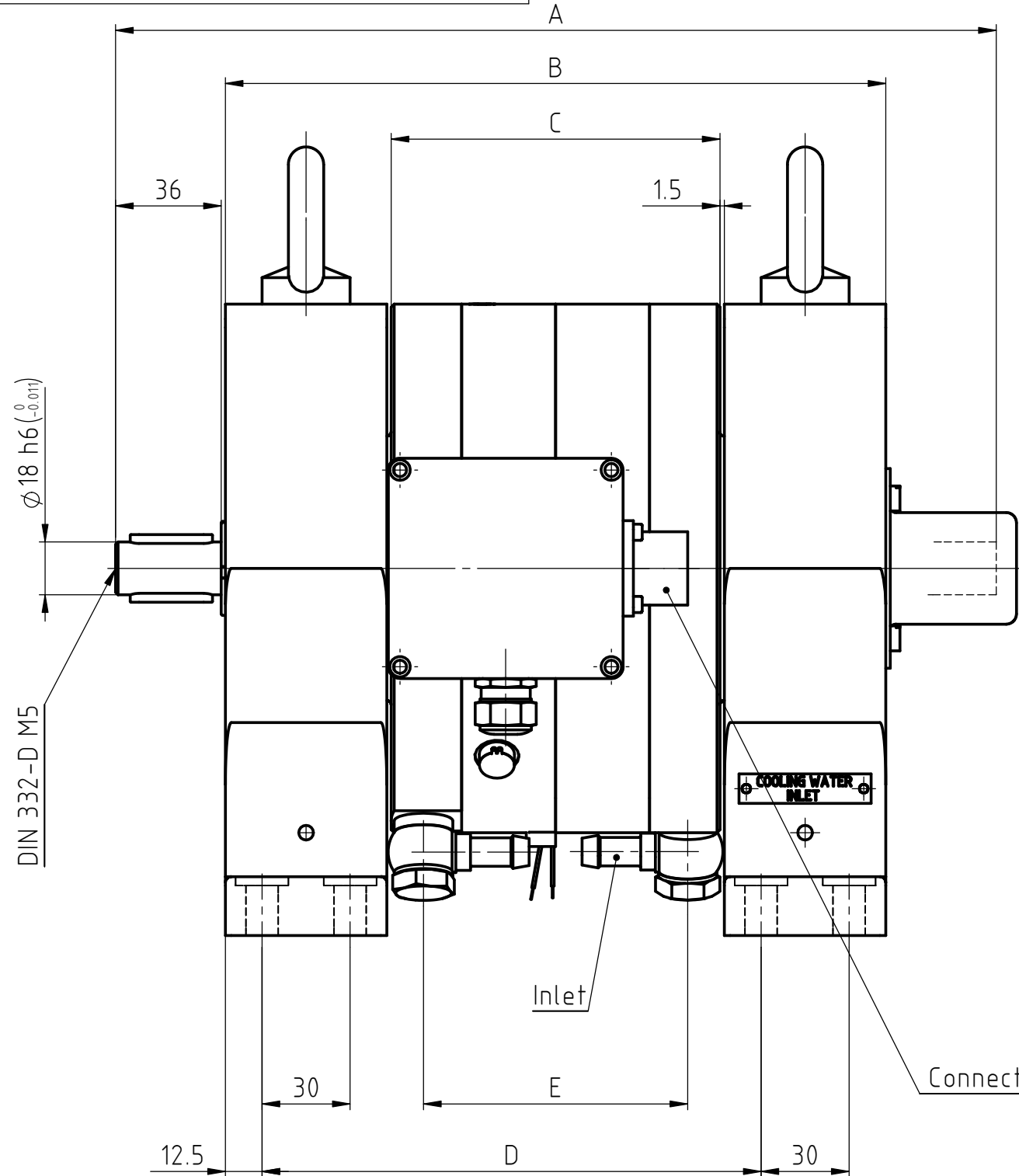


THE INFORMATION DISCLOSED HEREIN WAS ORIGINATED BY AND IS THE PROPERTY OF MAGTROL SA. MAGTROL SA RESERVES ALL PATENT PROPRIETARY, DESIGN, USE, SALE, MANUFACTURING AND REPRODUCTION RIGHTS THERETO.



TYPE		A	B	C	D	E
1WB65-IS	1PB65-IS	300	225	112	170	90
2WB65-IS	2PB65-IS	370	295	182	240	160

6														
5														
4														
3														
2	30.10.98	98478	A.Rappo	-----	Neu mit Anschlussdose									
1	26.06.98	-----	A.Rappo	-----	Zeichnungskorrektur									
Rev.	Date	PM	Drawn	Appr.	Repl. by :									
					Repl. for: 312-104-000V011									
Tolerances: \pm mm to 50mm, \pm mm over 50mm														
Material:														
Finish:														
Scale 1:2														
DRAWING N°					<table border="1"> <tr> <td>Drawn</td> <td>02.05.91</td> <td>Giroud</td> </tr> <tr> <td>Checked</td> <td></td> <td></td> </tr> <tr> <td>Approved</td> <td></td> <td></td> </tr> </table>	Drawn	02.05.91	Giroud	Checked			Approved		
Drawn	02.05.91	Giroud												
Checked														
Approved														
Dynamometers					312-104-000V021									
1+2WB65-IS 1+2PB65-IS														