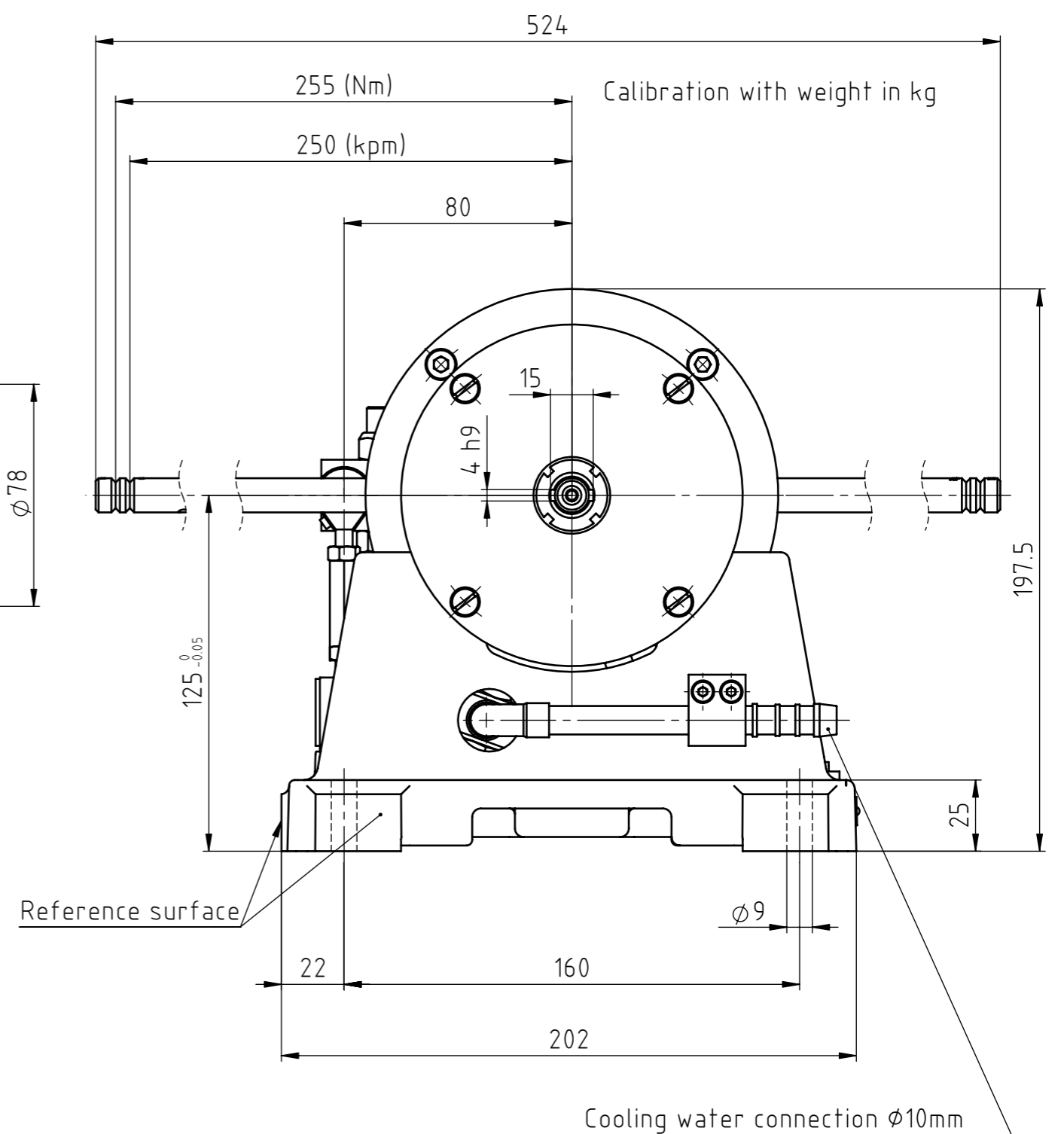
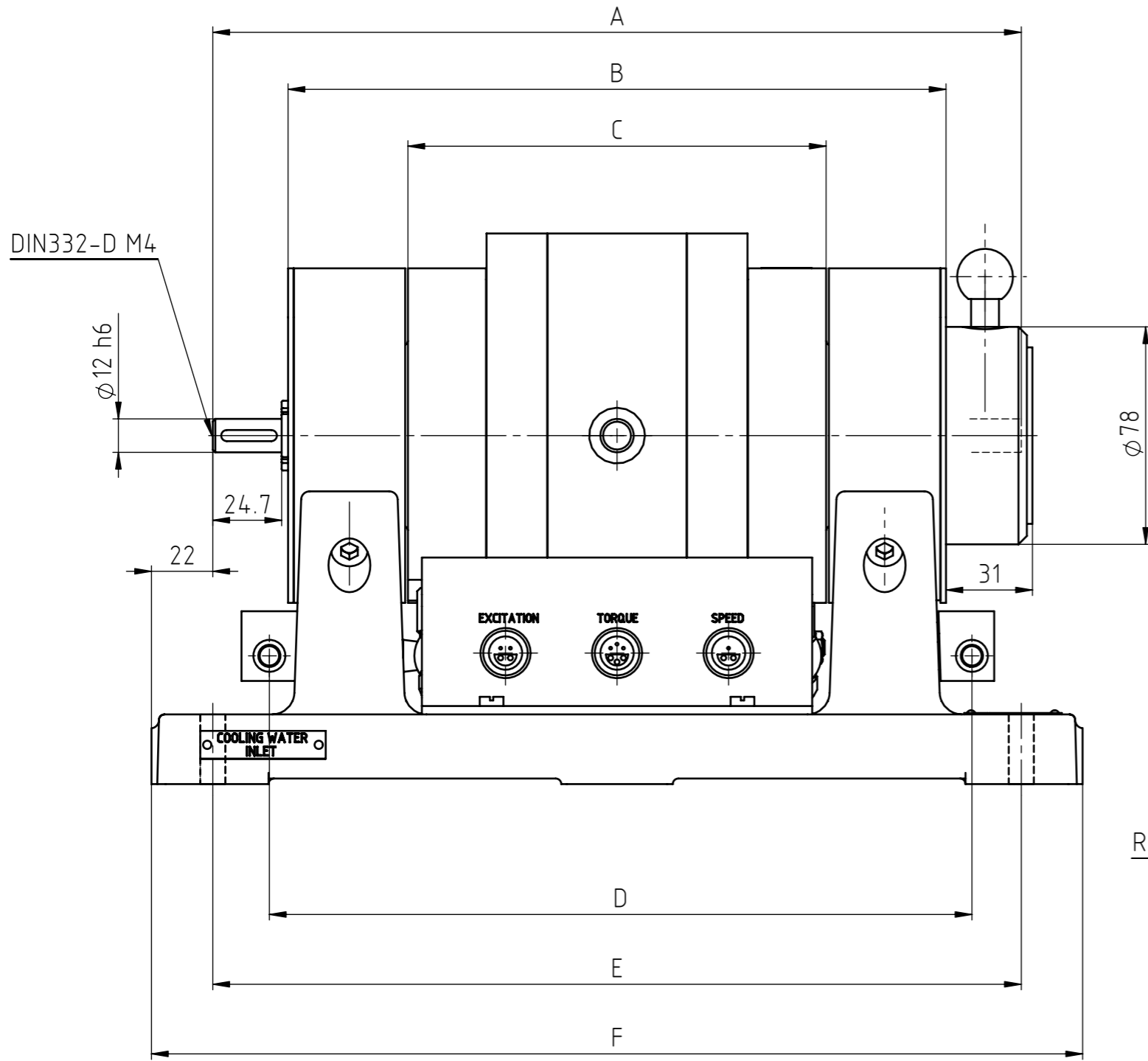


THE INFORMATION DISCLOSED HEREIN WAS ORIGINATED BY AND IS THE PROPERTY OF MAGTROL SA. MAGTROL SA RESERVES ALL PATENT PROPRIETARY, DESIGN, USE, SALE, MANUFACTURING AND REPRODUCTION RIGHTS THERETO.



Type	A	B	C	D	E	F
1WB43-MB	240	186	100	202	240	284
2WB43-MB	290	236	150	252	290	334

6									
5									
4									
3									
2									
1									
Rev.	Date	PM	Drawn	Appr.	Repl. by :				
					Repl. for:				
Tolerances: $\pm$ mm to 50mm, $\pm$ mm over 50mm									
Material:						Scale	Drawn	21.09.06	J.Sottaz
Finish:						1:2	Checked		
						Approved	21.09.06	N.Buri	
Dynamometers 1+2WB43-MB						DRAWING N°			
with mechanical blocking device						311-105-000V051			