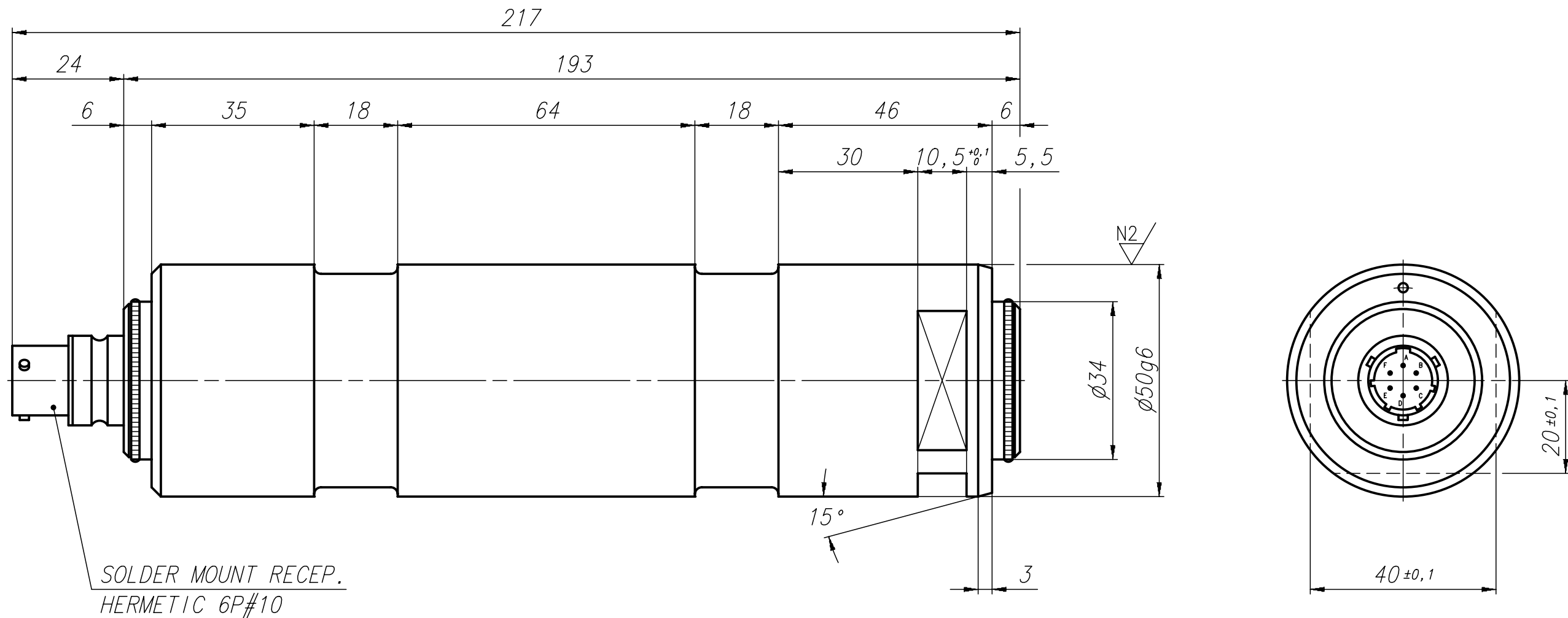
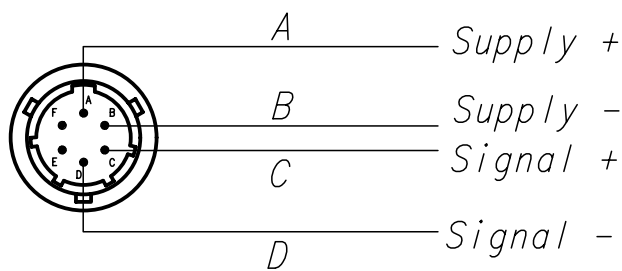


THE INFORMATION DISCLOSED HEREIN WAS ORIGINATED BY AND IS THE PROPERTY OF MAGTROL SA. MAGTROL SA RESERVES ALL PATENT, PROPRIETARY, DESIGN, USE, SALE, MANUFACTURING AND REPRODUCTION RIGHTS THERETO.



SOLDER MOUNT RECEP.
HERMETIC 6P#10

OIML : D 0,5



6									
5									
4									
3									
2									
1									
Rev.	Date	PM	Drawn	Appr.	Repl. by :				
					Repl. for:				
Tolerances: ± mm to 50 mm; ± mm over 50 mm						MAGTROL SA			
Material: 1.4542						Scale	Drawn	24.11.94	C.S.
Finish :						1:1	Checked	15.12.94	N.Buri
							Approved	16.12.94	R.Dubois
LOAD MEASURING PIN 125kN						DRAWING N°			
P/N: 122-256-000-131						122-256-000V131			
TYPE: LB 256/131									