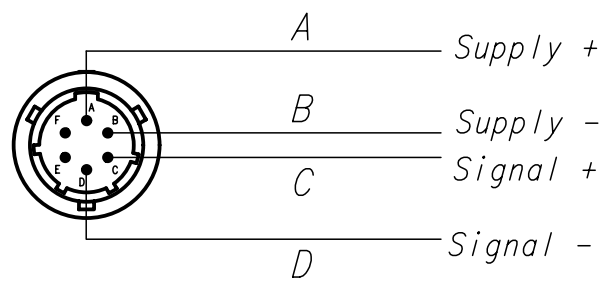
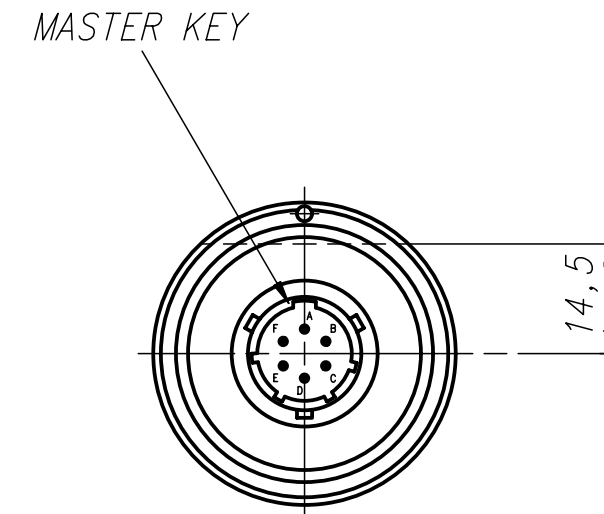
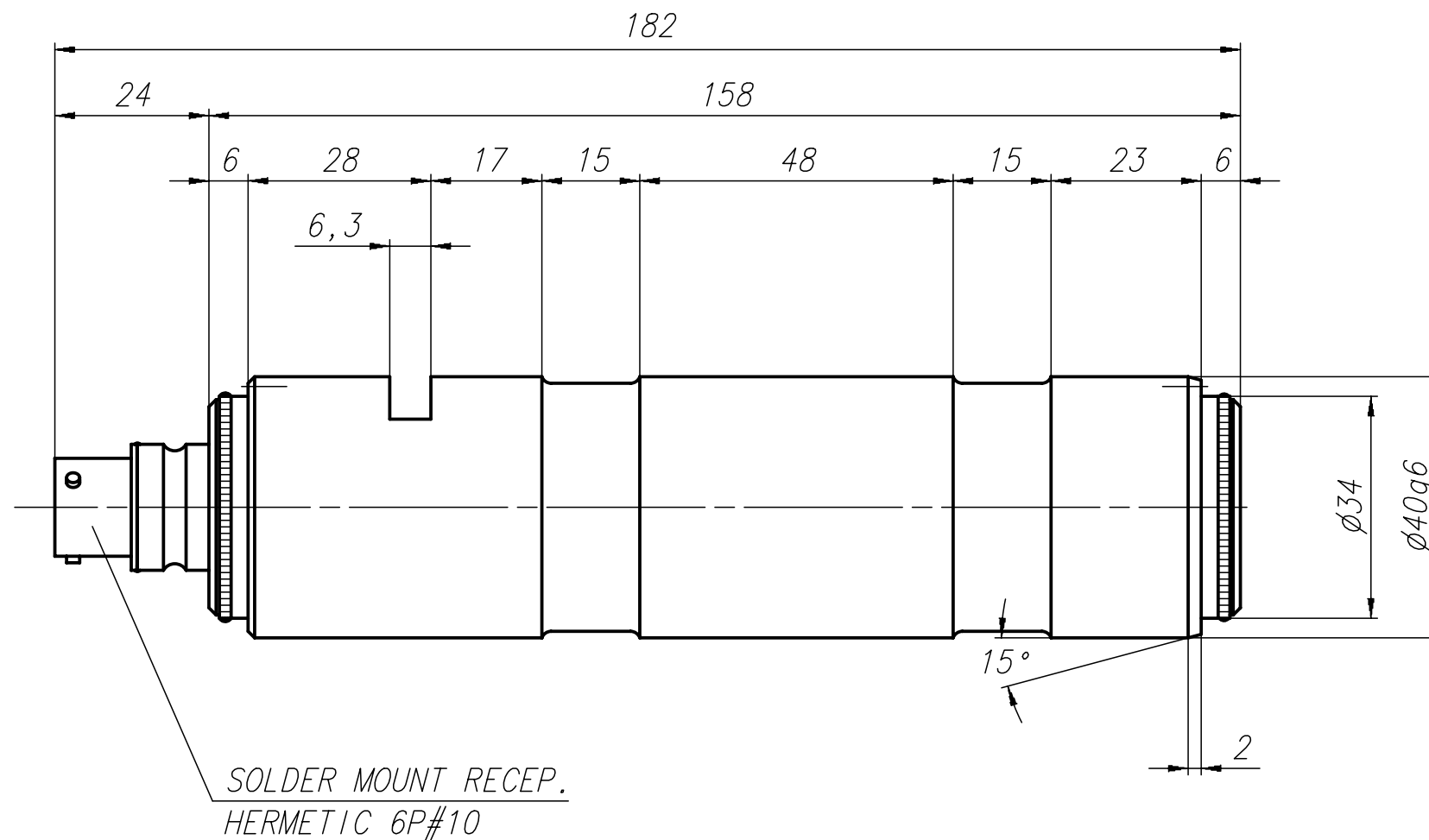


THE INFORMATION DISCLOSED HEREIN WAS ORIGINATED BY AND IS THE PROPERTY OF MAGTROL SA. MAGTROL SA RESERVES ALL PATENT, PROPRIETARY, DESIGN, USE, SALE, MANUFACTURING AND REPRODUCTION RIGHTS THERETO.



OIML : D 0,38

6									
5									
4									
3									
2									
1									
Rev.	Date	PM	Drawn	Appr.	Repl. by :				
					Repl. for:				
Tolerances: $\pm$ mm to 50 mm; $\pm$ mm over 50 mm						MAGTROL SA			
Material: 1.4542						Scale	Drawn	24.01.95	Corinne P.
Finish :						1:1	Checked	31.01.95	N.Buri
							Approved	08.02.95	R.Dubois
LOAD MEASURING PIN 100kN						DRAWING N°			
P/N: 122-256-000-121			TYPE: LB 256/121			122-256-000V121			