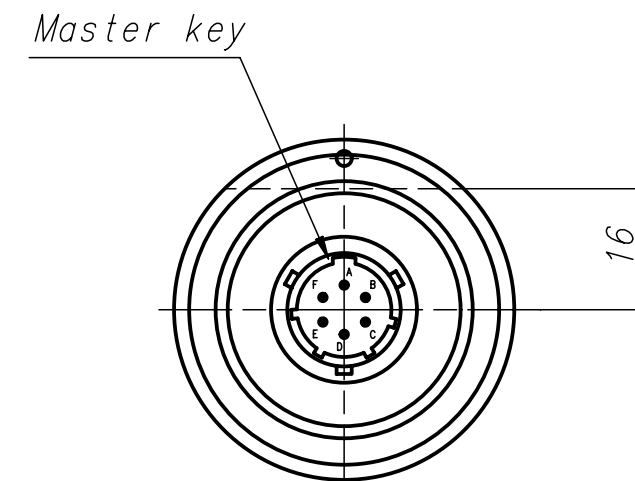
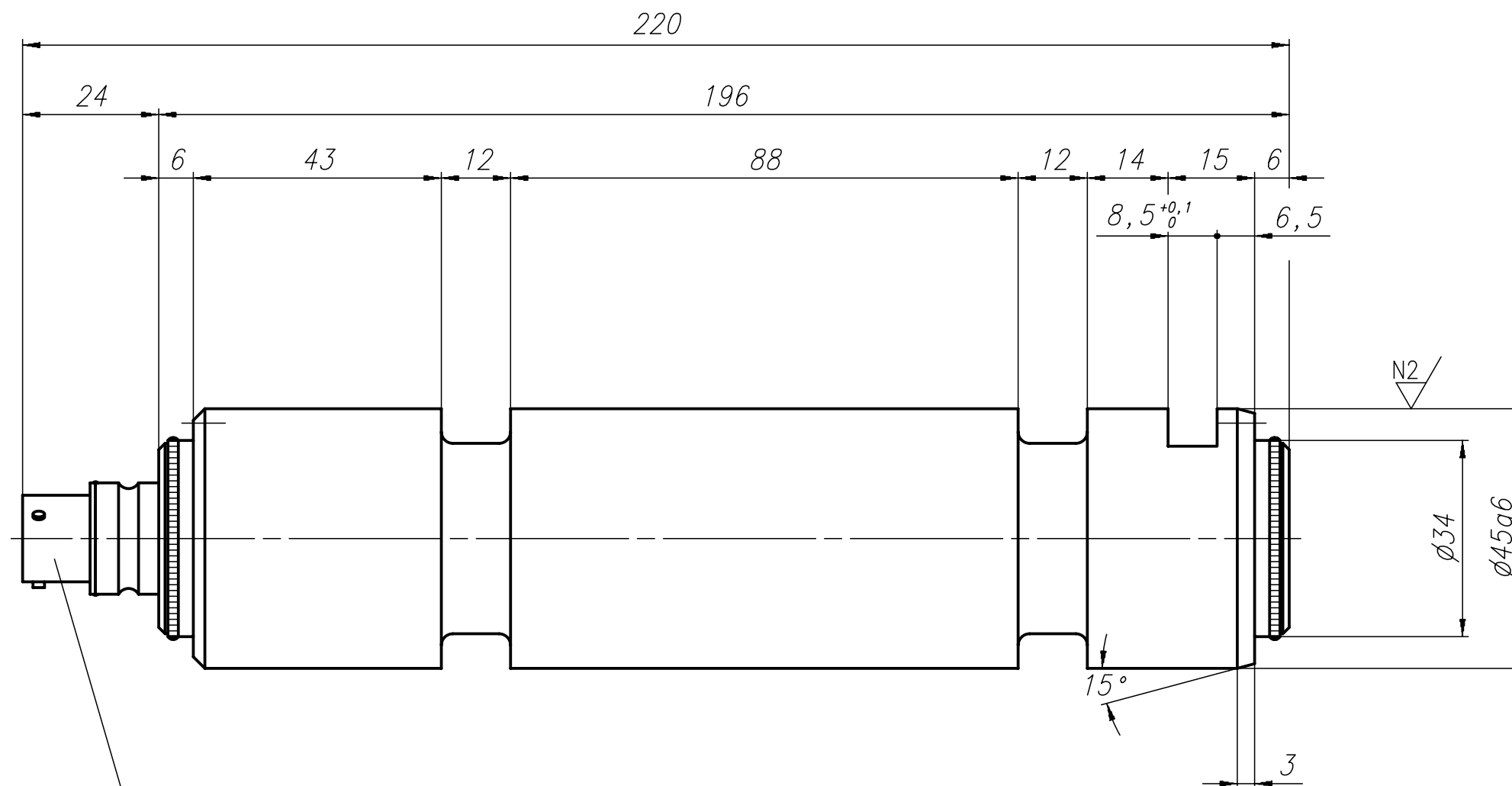
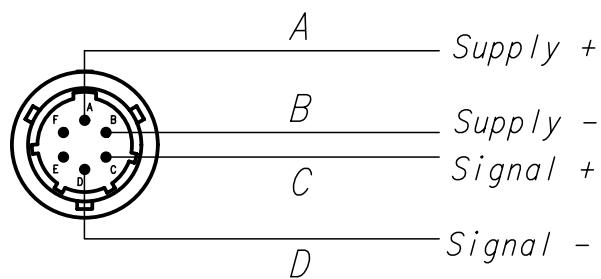


THE INFORMATION DISCLOSED HEREIN WAS ORIGINATED BY AND IS THE PROPERTY OF MAGTROL SA. MAGTROL SA RESERVES ALL PATENT, PROPRIETARY, DESIGN, USE, SALE, MANUFACTURING AND REPRODUCTION RIGHTS THERETO.



Solder mount recep.
hermetic 6P#10



OIML : D 0,35

6									
5									
4									
3									
2									
1									
Rev.	Date	PM	Drawn	Appr.	Repl. by :				
					Repl. for:				
Tolerances: ±						mm to 50 mm; ± mm over 50 mm			
Material: 1.4542									
Finish :									
LOAD MEASURING PIN 50kN						DRAWING N°			
						122-255-000V021			
P/N: 122-255-000-021			TYPE: LB 255/021						

Drawn	21.11.94	Corinne P.
Checked	15.12.94	N. Buri
Approved	16.12.94	R. Dubois