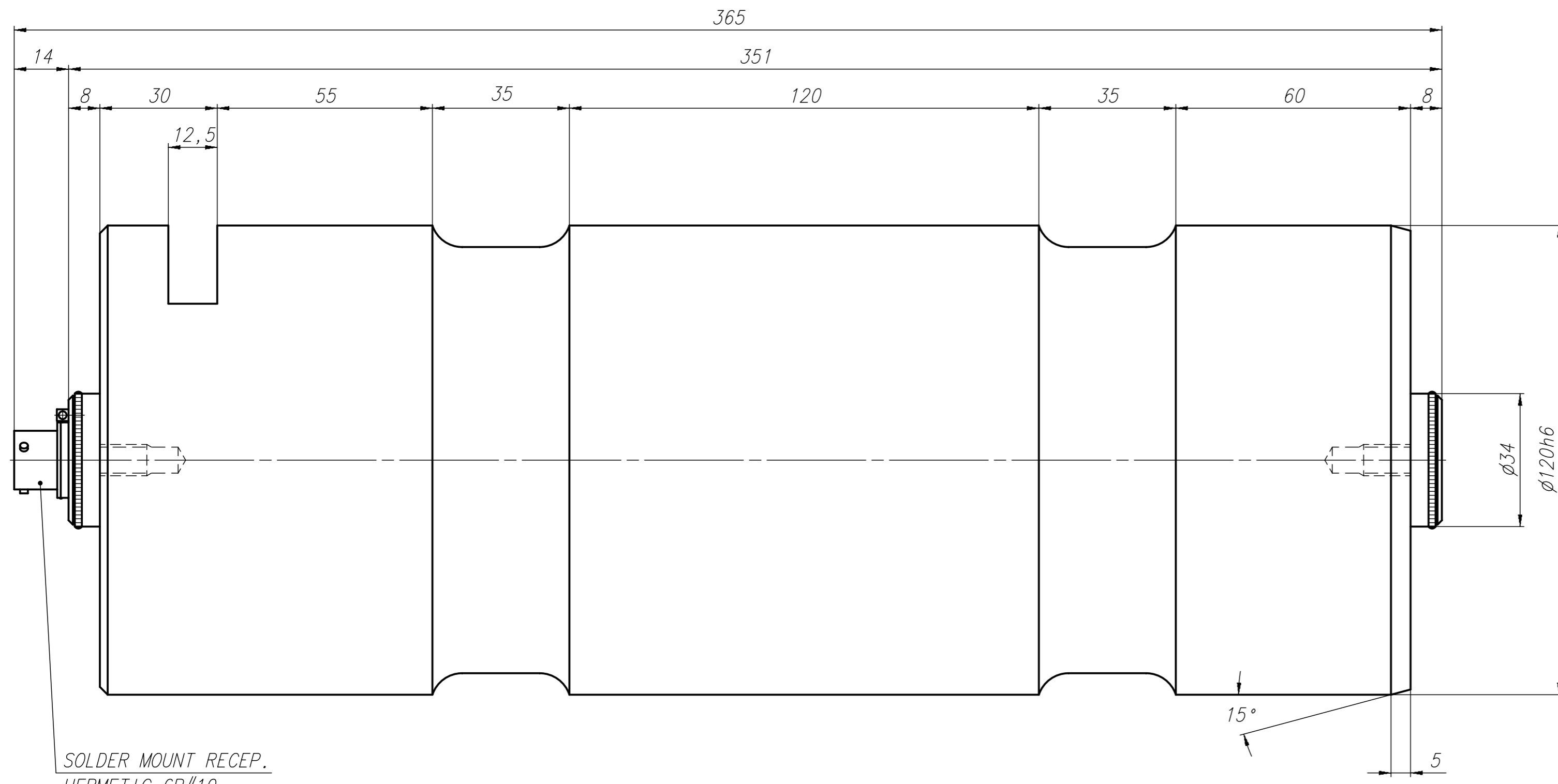
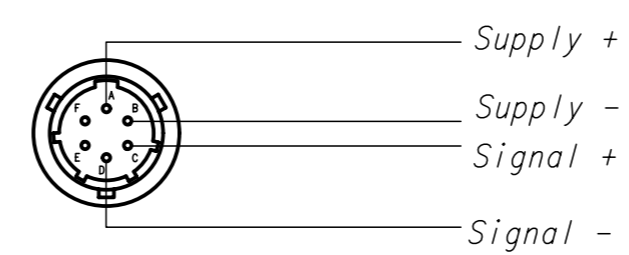
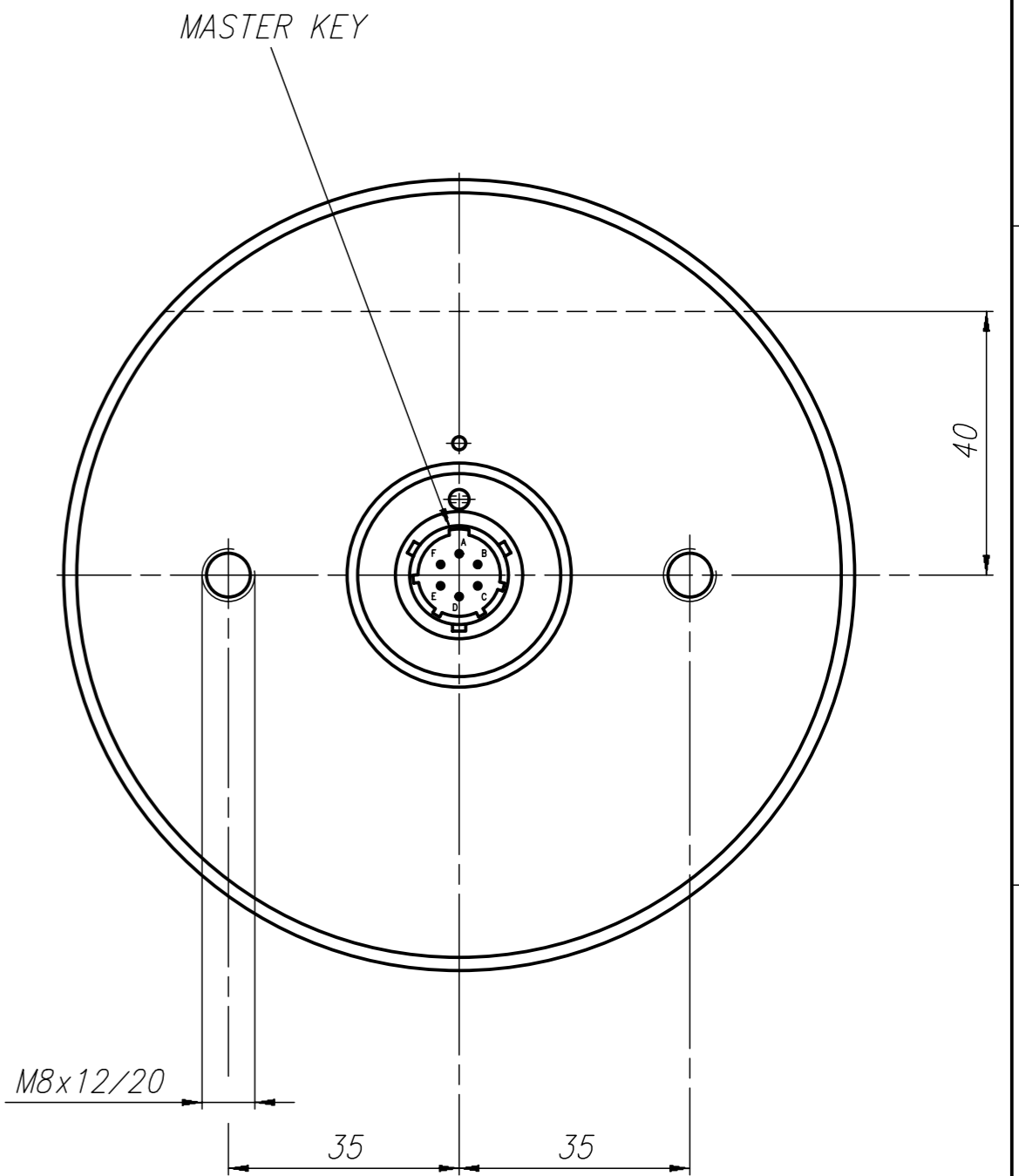


THE INFORMATION DISCLOSED HEREIN WAS ORIGINATED BY AND IS THE PROPERTY OF MAGTROL SA. MAGTROL SA RESERVES ALL PATENT, PROPRIETARY, DESIGN, USE, SALE, MANUFACTURING AND REPRODUCTION RIGHTS THERETO.



SOLDER MOUNT RECEP.
HERMETIC 6P#10



Weight: ~30 Kg.

6									
5									
4									
3									
2									
1									
Rev.	Date	PM	Drawn	Appr.	Repl. by :				
					Repl. for:				
Tolerances: \pm mm to 50 mm; \pm mm over 50 mm						MAGTROL SA			
Material: 1.4057						Scale	Drawn	29.03.94	C.S.
Finish :						1:1	Checked	27.04.94	Db
						Approved	27.04.94	Bi	
LOAD MEASURING PIN 1250kN						DRAWING N°			
P/N: 122-241-000-021						TYPE: LB 241		122-241-000V021	