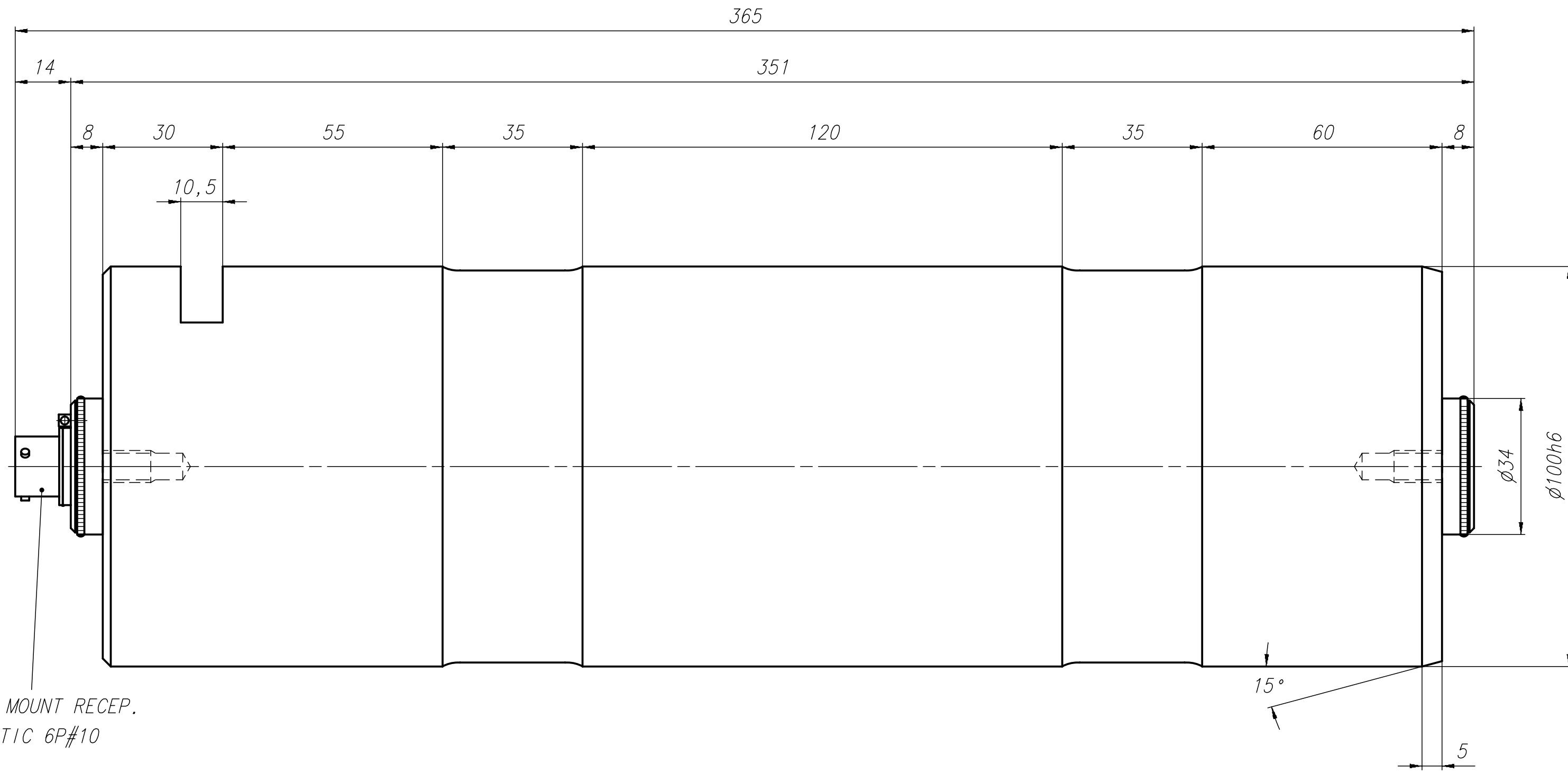
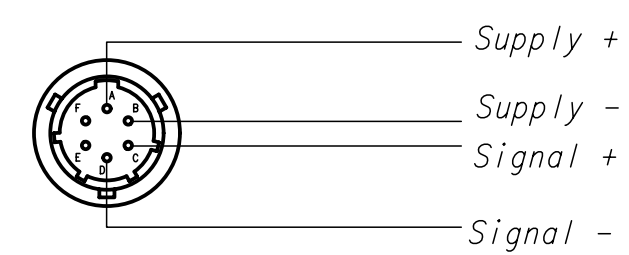
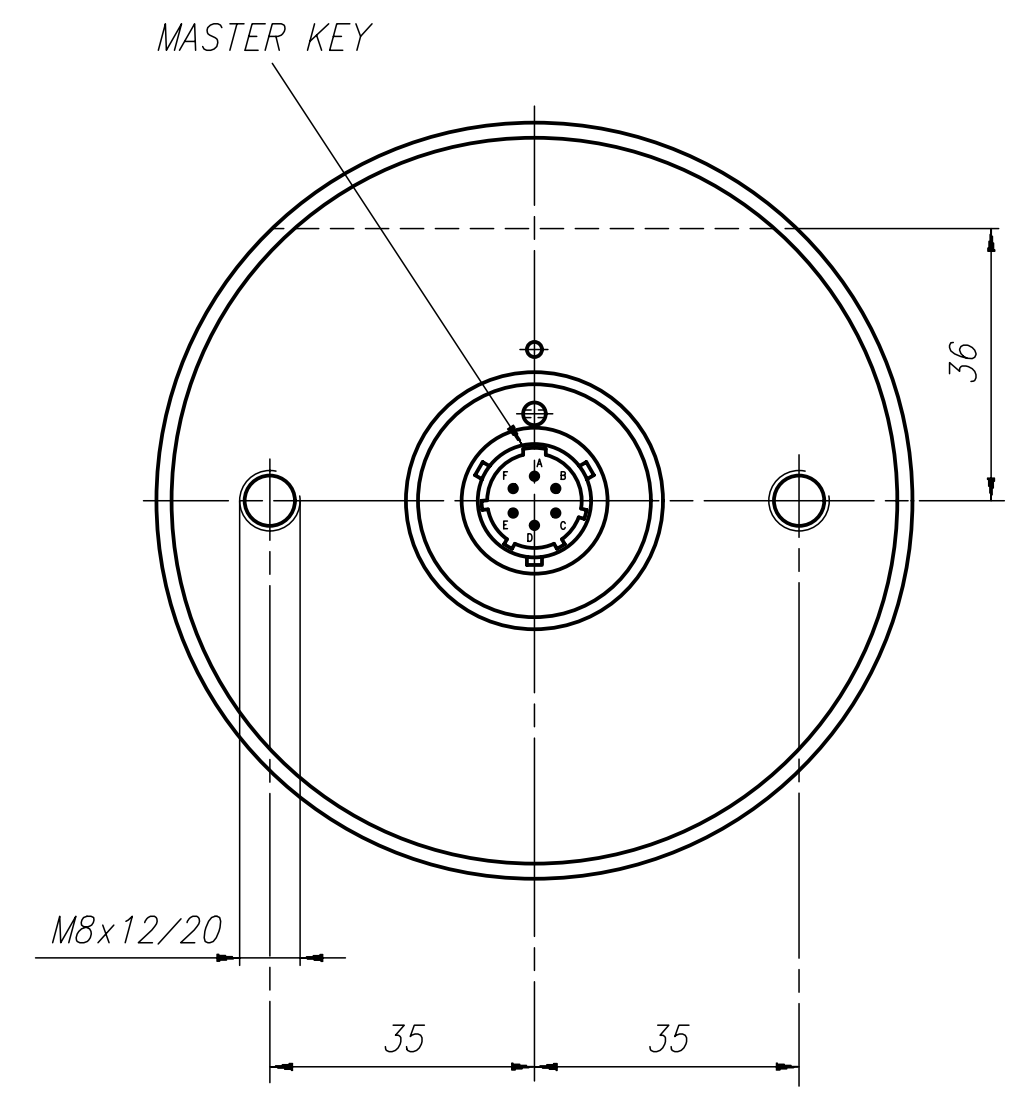


THE INFORMATION DISCLOSED HEREIN WAS ORIGINATED BY AND IS THE PROPERTY OF MAGTROL SA. MAGTROL SA RESERVES ALL PATENT, PROPRIETARY, DESIGN, USE, SALE, MANUFACTURING AND REPRODUCTION RIGHTS THERETO.



SOLDER MOUNT RECEP.  
HERMETIC 6P#10



Weight: ~21 Kg

6										
5										
4										
3										
2										
1										
Rev.	Date	PM	Drawn	Appr.	Repl. by :					
					Repl. for :					
Tolerances: ±						mm to 50 mm; ±	mm over 50 mm			
Material: 1.4057						Scale	1:1	Drawn	27.04.94	Jean-Marc Kobel
Finish :						Checked	06.05.94		Db	
						Approved	06.05.94		Bi	
<b>LOAD MEASURING PIN 1000kN</b>								DRAWING N°		
P/N: 122-240-000-021						TYPE: LB 240		122-240-000V021		

MAGTROL SA