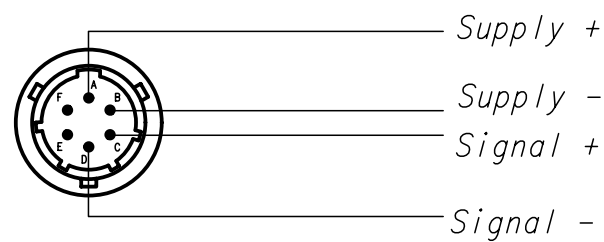
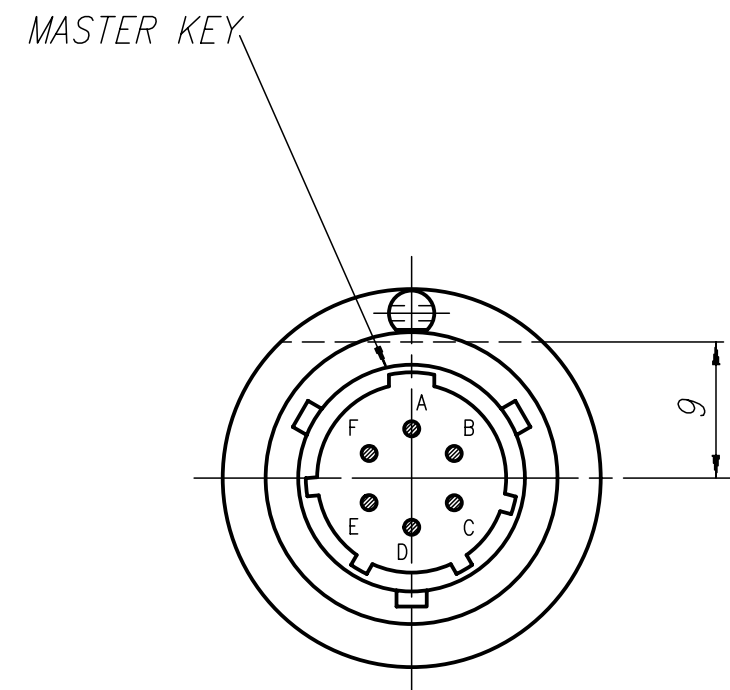
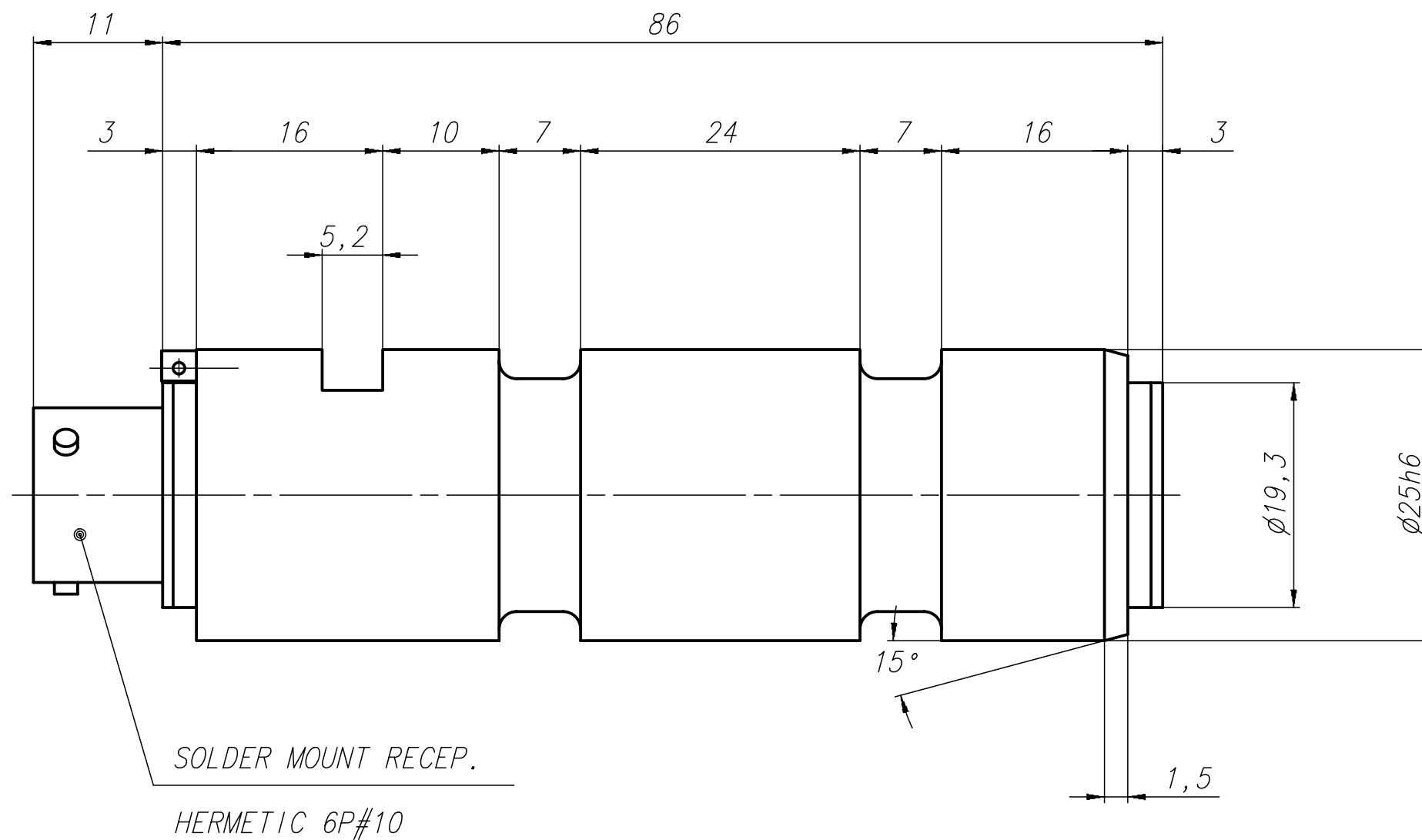
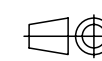


THE INFORMATION DISCLOSED HEREIN WAS ORIGINATED BY AND IS THE PROPERTY OF MAGTROL SA. MAGTROL SA RESERVES ALL PATENT, PROPRIETARY, DESIGN, USE, SALE, MANUFACTURING AND REPRODUCTION RIGHTS THERETO.



Weight: ~ 0,3kg

6										
5										
4										
3										
2										
1										
Rev.	Date	PM	Drawn	Appr.	Repl. by :					
					Repl. for:					
Tolerances: ±						mm to 50 mm; ±		mm over 50 mm		
Material:						1.4057				
Finish :										
<b>LOAD MEASURING PIN LB 232 10kN</b>						DRAWING N°		<b>122-232-000V021</b>		
						P/N: 122-232-000-021				TYPE: LB 232
						Scale <b>2:1</b>		Drawn	20.04.95	Corinne P.
								Checked	20.04.95	N.Buri
								Approved	20.04.95	Db



**MAGTROL SA**