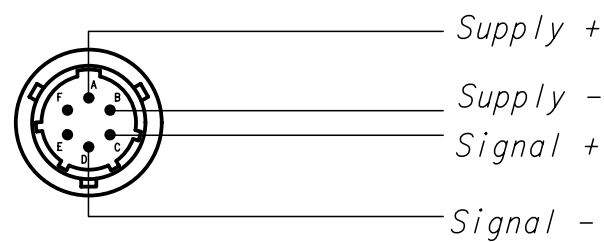
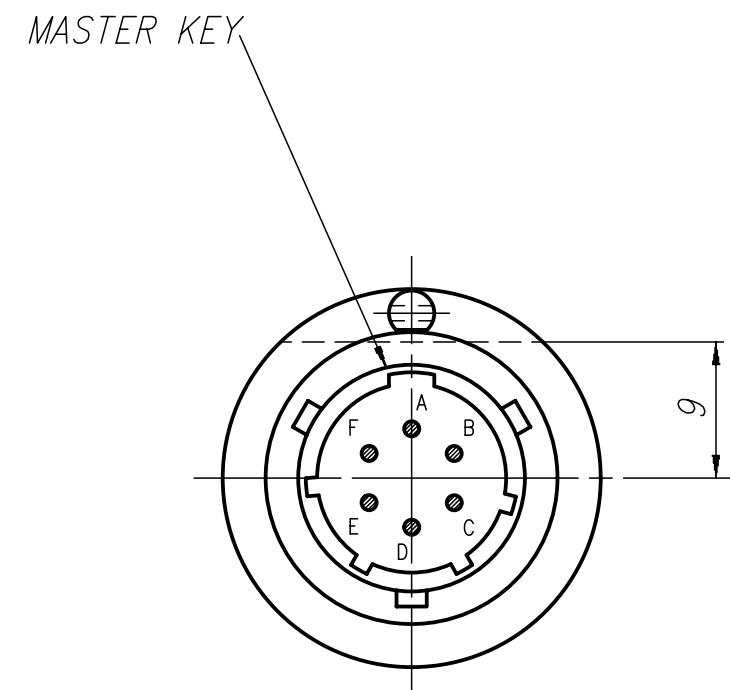
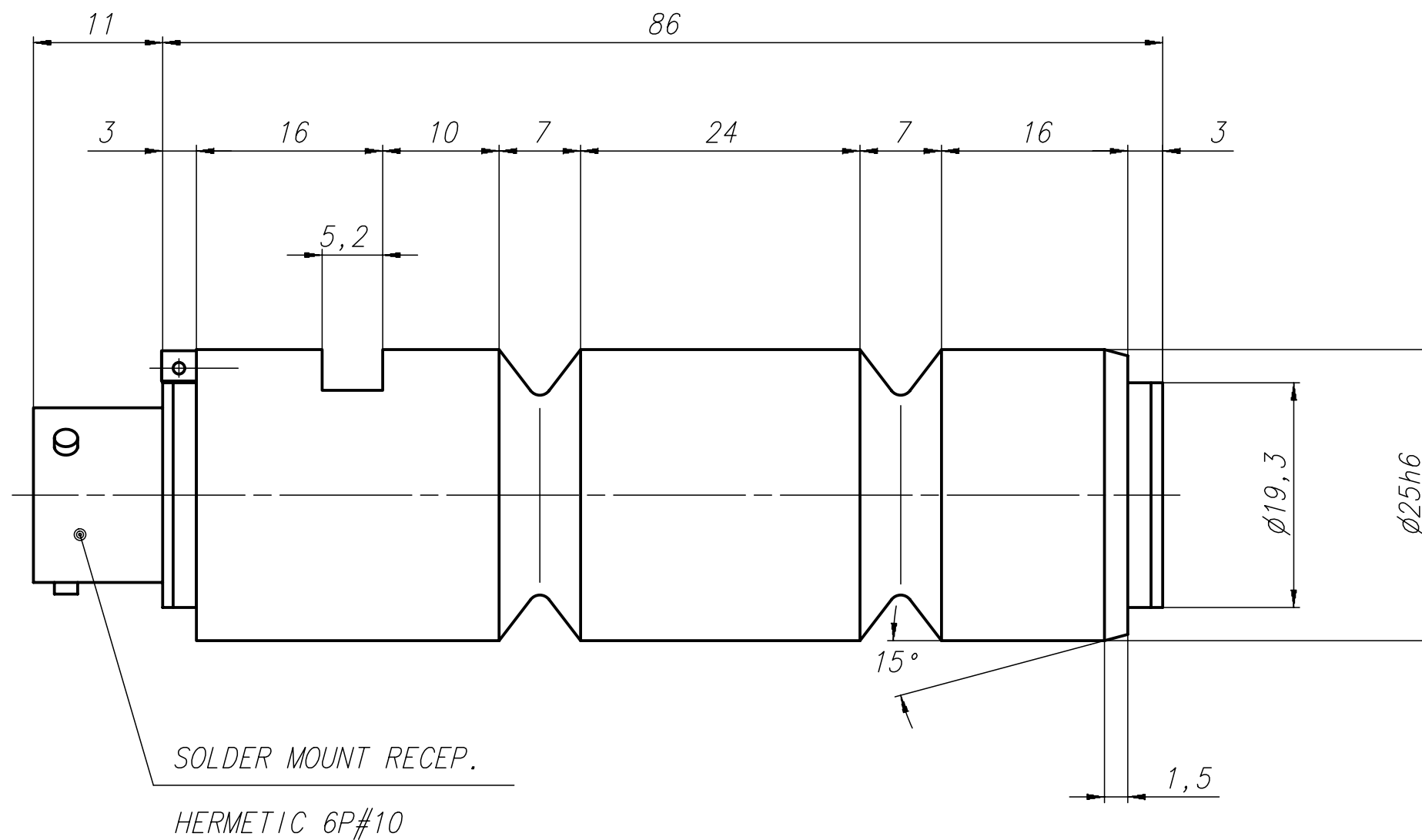
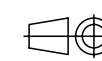


THE INFORMATION DISCLOSED HEREIN WAS ORIGINATED BY AND IS THE PROPERTY OF MAGTROL SA. MAGTROL SA RESERVES ALL PATENT, PROPRIETARY, DESIGN, USE, SALE, MANUFACTURING AND REPRODUCTION RIGHTS THERETO.



Weight: ~ 0,3 kg

6									
5									
4									
3									
2									
1									
Rev.	Date	PM	Drawn	Appr.	Repl. by :				
					Repl. for:				
Tolerances: ±						mm to 50 mm; ±		mm over 50 mm	
Material:						1.4057			
Finish :									
LOAD MEASURING PIN LB 231 5kN						DRAWING N°			
P/N: 122-231-000-021				TYPE: LB 231		122-231-000V021			
						Scale		2:1	
						Drawn		20.04.95	
						Checked		20.04.95	
						Approved		20.04.95	
								Corinne P.	
								N. Buri	
								Db	



MAGTROL SA