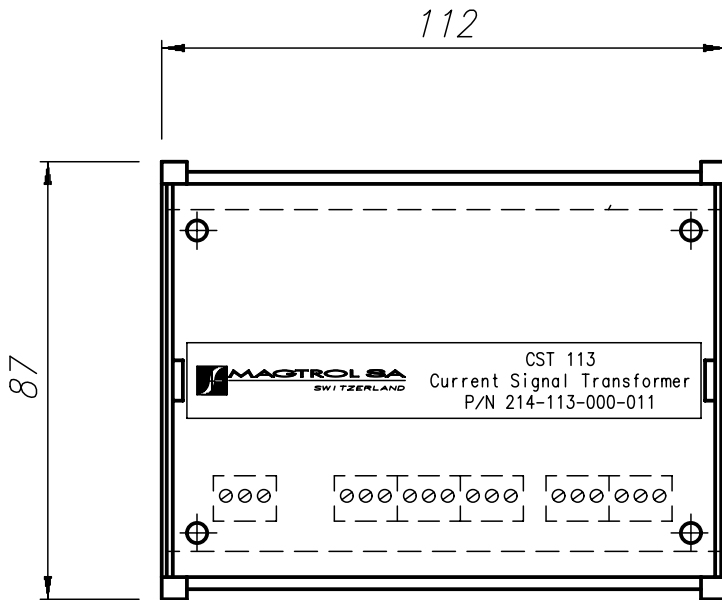
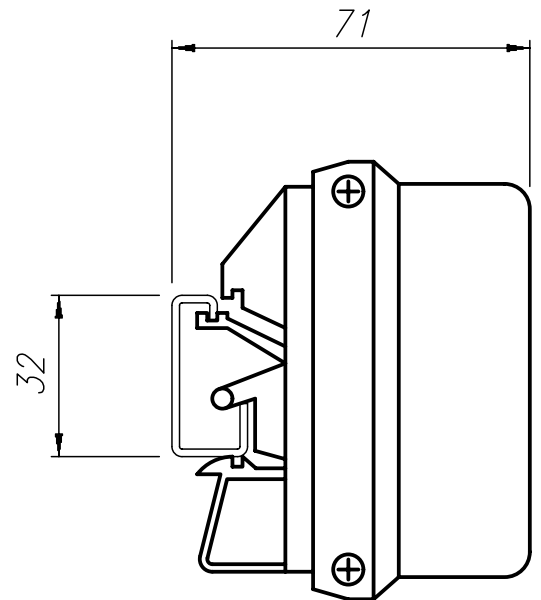


THE INFORMATION DISCLOSED HEREIN WAS ORIGINATED BY AND IS THE PROPERTY OF MAGTROL SA. MAGTROL SA RESERVES ALL PATENT, PROPRIETARY, DESIGN, USE, SALE, MANUFACTURING AND REPRODUCTION RIGHTS THERETO.

1



B

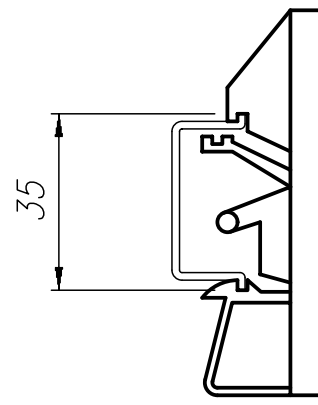


2

Plastic housing for mounting on DIN rail.

Kunststoffgehäuse für Montage auf Profilschiene DIN.

Boîtier plastique pour montage sur rail DIN



3

6									
5									
4									
3									
2									
1	11.05.01	00495	C.S.	N.B.	Logo updated !				
Rev.	Date	PM	Drawn	Appr.	Repl.by : Repl.for:				
Tolerances: ±					mm to 50 mm; ± mm over 50 mm				
Material:					Scale		Drawn	09.09.97	ar
Finish :					1:1,5		Checked		
							Approved	12.09.97	mw
Current Signal Transformer					DRAWING N°				
CST 113					214-113-000V011				

1

2

3

A

B