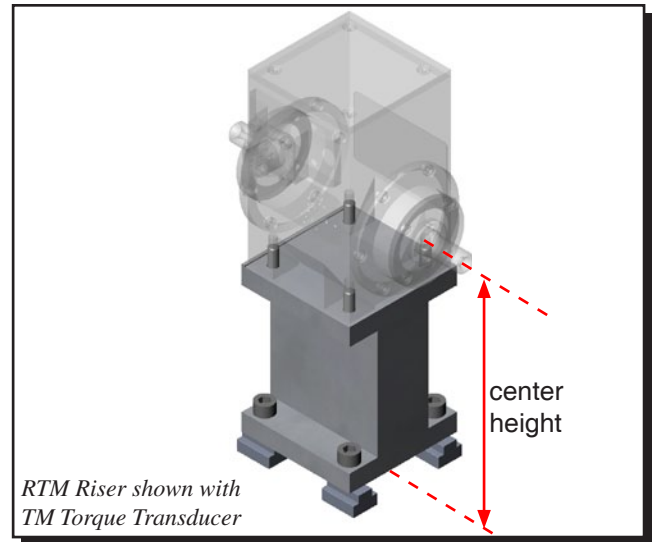
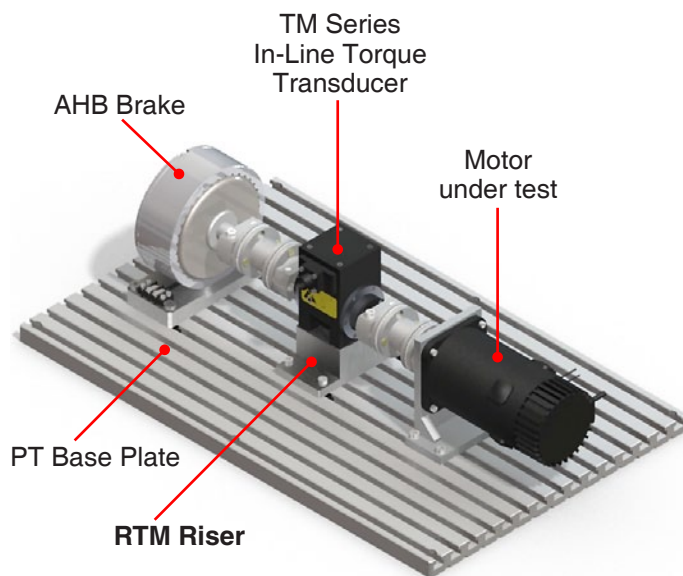


RTM Series Riser Kits for In-line Torque Transducers

DESCRIPTION

Magtrol's PT Series T-slot Base Plates are used for creating a basic test rig by mounting a Magtrol Dynamometer, Brake or Torque Transducer in line with the unit to be tested. Depending on the system configuration, a riser may be required to lift the transducer from the baseplate to the shaft height of the brake and/or the motor being tested. Magtrol RTM Riser Kits come complete with attachment hardware for the transducer and T-nuts and bolts for attachment to the PT Base Plate.

MOUNTING EXAMPLE



ORDERING INFORMATION

Center Height*	Fits Transducer Models:		
	TM 300 – 308	TM 309 – 311	TM 312 – 313
Riser Model	Riser Model	Riser Model	Riser Model
60 mm	RTM-1-060	---	---
70 mm	RTM-1-070	---	---
80 mm	RTM-1-080	---	---
100 mm	RTM-1-100	---	---
120 mm	RTM-1-120	RTM-2-120	---
200 mm	---	---	RTM-3-200

* Non-standard center heights available. Contact Magtrol.



www.magtrol.com

MAGTROL INC

70 Gardenville Parkway
Buffalo, New York 14224 USA
Phone: +1 716 668 5555
Fax: +1 716 668 8705
E-mail: magtrol@magtrol.com

MAGTROL SA

Centre technologique Montena
1728 Rossens/Fribourg, Switzerland
Phone: +41 (0)26 407 3000
Fax: +41 (0)26 407 3001
E-mail: magtrol@magtrol.ch

Subsidiaries in:

Great Britain
Germany • France
China • India
Worldwide Network
of Sales Agents

