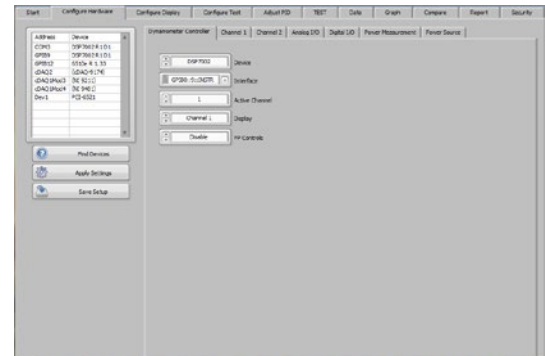


M-TEST 7

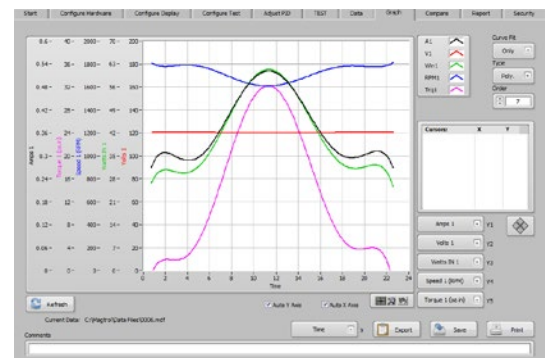
Motor Testing Software

NEW FEATURES WITH M-TEST 7

- New Graphical User Interface has user friendly tabbed pages for quick navigation.
- Optional Analog and Digital I/O provides more device flexibility.
- DSP7000 Programmable Controller Support.
- Supports the optional Analog and Digital I/O Modules on the DSP7000 Programmable Controller.
- Compare function allows overlay of data from five separate tests on the same graph.
- Expanded power analyzer and power supply selections.
- Cursor tools can obtain the X and Y coordinates of any point on a curve and magnify any section of the graph.
- Additional test choices (coast and overload to trip).
- Programmable analog and digital outputs per step in curve and pass/fail tests.
- Export graph images to clipboard or file.
- Two page report generates a five-axis graph on second page.



M-TEST 7 Hardware Configuration



M-TEST 7 Graphical Data Output

DESCRIPTION

Magtrol's new M-TEST 7 is a state-of-the-art motor testing program for PC (Windows® 7 SP1) based data acquisition. Used with a Magtrol Programmable Dynamometer Controller, M-TEST 7 works with any Magtrol Dynamometer or In-Line Torque Transducer to help determine the performance characteristics of a motor under test. Up to 63 parameters are calculated and displayed utilizing M-TEST 7's feature-rich testing and graphing capabilities.

An integral component of any Magtrol Motor Test System, M-TEST 7 performs ramp, curve, manual, pass/fail, coast and overload to trip tests in a manner best suited to the overall efficiency of the test rig. Written in LabVIEW™, M-TEST 7 has the flexibility to test a variety of motors in a multitude of configurations. The data generated from this user-friendly program can be stored, displayed and printed in tabular or graphical formats, and is easily imported into a spreadsheet.

Magtrol can also make custom modifications to the software to meet additional motor testing requirements.

ANALOG INPUT MEASUREMENT

Up to 128 thermocouples or analog sensors can be read and monitored during a motor test. Heat rise curves on the bearings, windings and housing of a motor can be performed and air flow/exhaust efficiencies can be measured with an air tool or internal combustion engine. M-TEST 7, with its complete dynamometer control, even allows for analog measurement while performing load simulation for duty cycle and life testing.

APPLICATIONS

M-TEST 7—besides being well-suited for simulating loads, cycling the unit under test and motor ramping—is also ideal for production line and inspection applications, due to its pass/fail test function. Another time-saving feature, that engineering labs will benefit from, is the ability to duplicate tests and run them automatically. This versatile program is extremely valuable to anyone involved in motor testing.

STANDARD FEATURES

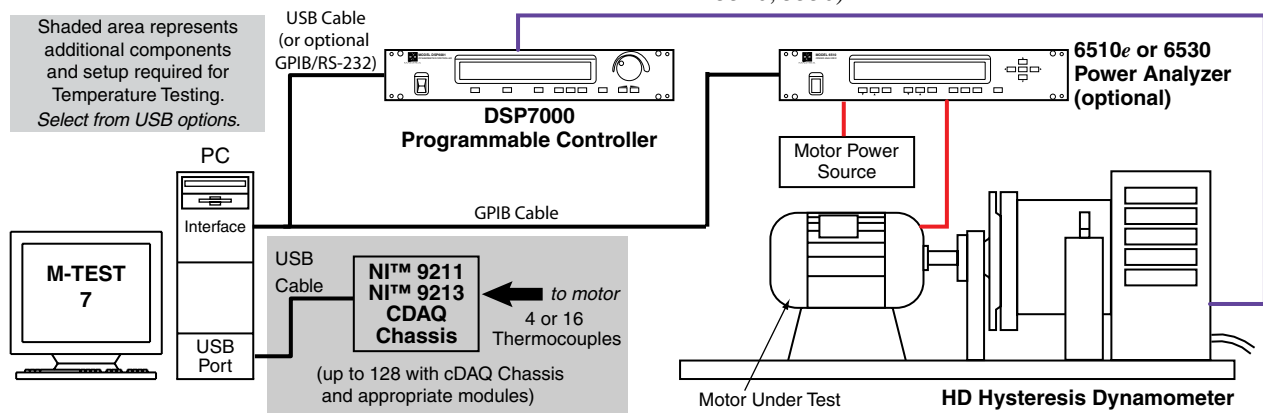
- Multiple Testing Options:**
 - Ramp:** Select from average ramp down/up or ramp down with inertia correction factor. Also allows extrapolation of free-run and locked-rotor data, plus interpolation of specific speed or torque data points.
 - Curve:** Test speed, torque, amps, watts input, watts output and open loop parameters. Capable of adjusting sampling rate and using step or ramp from one load point to the next.
 - Manual:** Controls test from front panel of the Dynamometer Controller or screen control while computer acquires data. Allows adjustment of sampling rate.
 - Pass/Fail:** Checks amps, input watts (with optional Power Analyzer), speed, torque and output watts against user-defined values.
 - Coast:** Counts degrees of revolution after motor power is removed.
 - Overload to Trip:** Loads and monitors temperature until the motors thermal cutout trips.
- Displays 63 Tested and Calculated Parameters:** Torque, speed and auxiliary input are displayed from the DSP6000/6001/7000 Controller; amps, volts and watts from an (optional) power analyzer. Calculated values including horsepower, efficiency, power factor, output watts and time can also be displayed. Optional analog and digital inputs can also be displayed.
- Three-Phase Power Analyzer Data Acquisition:** Obtain data on each individual phase and/or the sum used in the chosen parameters (amps, volts, input watts and power factor).
- Motor Shaft Direction Indicator:** Indicates if the motor is turning clockwise or counterclockwise.
- IEEE-488, USB and RS-232 Interface or GPIB-USB-HS:** Computer interface with National Instruments™ PCI-GPIB. RS-232 available with DSP7000, DSP6001 and DSP6000 only. USB on DSP7000 and Micro Dyne only.
- Dynamic PID Scaling:** Provides consistent control loop results throughout motor speed range during ramp test (for DSP6001/7000 only).
- PID Adjustment Routines:** Helps user adjust the system for ramp and step functions.
- Graphing Capabilities:** Display up to 5 test curves in a single graph; easy-to-read colored and labeled plots with several graph formatting options; manual or auto scaling.
- Curve Fitting:** A curve fitting routine can be applied to most motor test curves. Raw data and curve fit data can also be displayed simultaneously.
- Customized Reports:** Allows user to produce a one or two-page motor test summary, which can include the motor's serial number; maximum torque, speed, power and current values; operator name; time and date of test; motor direction; 32 data points; and an X-Y plot.
- Save/Load Setup Function:** Test procedure configurations may be stored and recalled using standard Windows® file structure.

SYSTEM CONFIGURATION

A Magtrol Dynamometer provides motor loading with a Magtrol Programmable Dynamometer Controller acting as the interface between the PC running M-TEST 7 and the dynamometer. If motor electrical parameters are to be measured or used to determine load points, a Magtrol Power Analyzer is also required. Interfacing between the computer and electronic instrumentation is via the National Instruments™ PCI-GPIB card, RS-232 serial interface or GPIB-USB-HS (when using a DSP7000, DSP6000 or DSP6001) or USB (DSP7000, Micro Dyne).

M-TEST 7 is equipped to work in conjunction with any of the following Magtrol motor testing instruments:

- Dynamometer Controller (DSP7000/6001/6000)
- Micro Dyne
- Hysteresis, Eddy-Current or Powder Dynamometer (HD, HD5, WB, PB)
- In-Line Torque Transducer (TM, TF, TMB, TMHS)
- Power Analyzer (6530, 6510e, 6510, 6550, 5100, 5300, 5310, 5330)



SYSTEM REQUIREMENTS

- Personal computer with Intel® Pentium® Core™2 Duo processor (or equivalent)
- Microsoft® Windows® 7 SP1
- 2 GB of RAM
- 4 GB of available hard drive space
- VGA color monitor with minimum screen resolution of 1024 × 768
- National Instruments™ PCI-GPIB card, GPIB-USB-HS Interface (available from Magtrol)
- RS-232 serial interface can be used, instead of GPIB card, for interfacing with Magtrol DSP6000, DSP6001 or DSP7000 Controllers. In addition, a USB Interface can be used with the DSP7000 Controller.

ALTERNATIVE MOTOR TESTING SOFTWARE

In addition to M-TEST 7, Magtrol offers EM-TEST 2.0 specifically designed for endurance motor testing and DUAL-TEST 7 fully independent dual channel control software.

Description	Model/Part Number
EM-TEST2.0 Endurance Motor Testing Software	SW-EM-TEST2.0-WE
DUAL-TEST7 Dual Channel Motor Testing Software	SW-DUAL-TEST7-WE

SYSTEM OPTIONS AND ACCESSORIES

CATEGORY	DESCRIPTION	MODEL / PART #
TEMPERATURE TESTING HARDWARE	National Instruments™ 9211 4-Channel TC System	HW-TTEST-4
	National Instruments™ 9213 16-Channel TC System	HW-TTEST-16
	4-Channel TC Modules	73M231
	16-Channel TC Modules	73M233
	4-Slot cDAQ Chassis	73M224
CONTROLLERS	8-Slot cDAQ Chassis	73M229
	High Speed Programmable Dynamometer Controller	DSP6001/DSP7000
TESTING INSTRUMENTS	High Speed Single-Phase Power Analyzer	6510e
	High Speed Three-Phase Power Analyzer	6530
	Hysteresis Dynamometers	HD series
	Eddy-Current Dynamometers	WB series
POWER ANALYZERS	Powder Brake Dynamometers	PB series
	In-Line Torque Transducers	TM/TMHS/TMB series
	Closed-Loop Speed Control and Power Supply	6100
	Power Supply for WB & PB Dynamometers series 2.7 and 43	DES 310/410
POWER SUPPLIES	Power Supply for WB & PB Dynamometer series 65, 115 and 15	DES 311/411
	Power Amplifier—required for all HD-825 Dynamometers	5241
	MISC	Torque/Speed Conditioner
CARDS	GPIB Interface Card (PCI)	73M023
	Relay Actuator Card (for controlling motor power via M-TEST 7)	73M052
	USB-6525	73M218
CABLES	GPIB Cable, 1 meter	88M047
	GPIB Cable, 2 meters	88M048
	Torque Transducer Connector Cable	ER 113/01

For information on the most current software release available, refer to Magtrol's Web site at www.magtrol.com/motortest/mtest.html

Due to the continual development of our products, we reserve the right to modify specifications without forewarning.



www.magtrol.com

MAGTROL INC

70 Gardenville Parkway
Buffalo, New York 14224 USA
Phone: +1 716 668 5555
Fax: +1 716 668 8705
E-mail: magtrol@magtrol.com

MAGTROL SA

Route de Montena 77
1728 Rossens/Fribourg, Switzerland
Phone: +41 (0)26 407 3000
Fax: +41 (0)26 407 3001
E-mail: magtrol@magtrol.ch

Subsidiaries in:

Germany • France
China • India
Worldwide Network
of Sales Agents

