

KTF SERIES

DISC COUPLING FOR TF SENSORS

FEATURES

- For use with Magtrol TF309 to TF 312 and TF 213 to TF 217 torque flange sensors
- Compensation for axial, angular and radial misalignments
- Torsionally stiff
- Wear and maintenance-free
- Double-element
- Compact design
- High speed (up to 25'000 rpm)
- Minimization of reaction forces
- G2.5 balancing according to ISO 1940
- Stainless steel



Fig.1 : KTF-25-28 Couplig for Torque Flange sensors TF 215

INFORMATIONS

Customer side flange is not included, but can be supplied on request.

Couplings of size 17 to 110 are delivered with shipping / mounting bolts, which must be removed after installation.

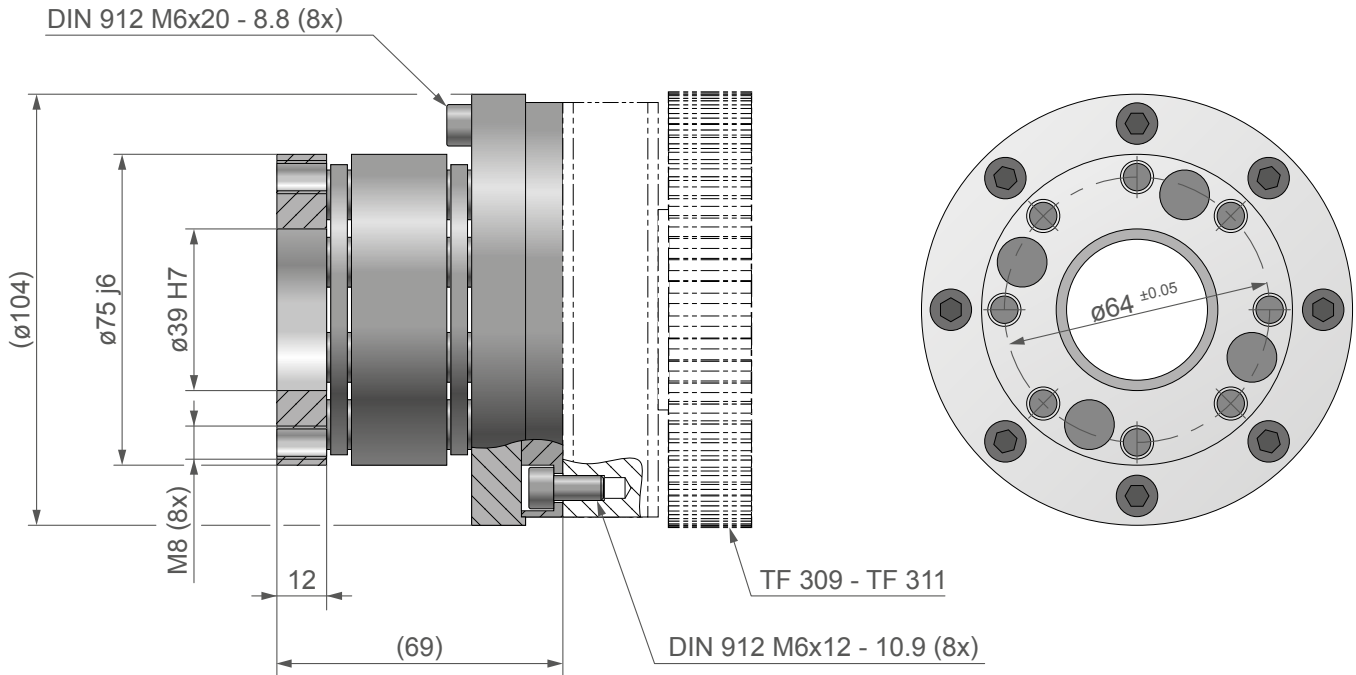
TECHNICAL FEATURES

| MODEL | TORQUE FLANGE SENSOR | NOMINAL COUPLING TORQUE ^{a)} | MAX. COUPLING TORQUE ^{a)} | MAX. COUPLING SPEED ^{a) b)} | MISALIGNMENT | | | TORSIONAL STIFFNESS | MOMENT OF INERTIA | WEIGHT |
|------------|----------------------|---------------------------------------|------------------------------------|--------------------------------------|--------------|--------|---------------------|-------------------------|-------------------|--------|
| | | | | | AXIAL | RADIAL | ANGULAR | | | |
| | | | | | mm | mm | ° | | | |
| KTF-25-2.8 | TF 309-311 | 280 | 500 | 25,000 | ± 2.0 | ± 0.38 | 0.75° per disk pack | 0.055 x 10 ⁶ | 0.003 | 2.16 |
| KTF-25-4.5 | TF 312 | 450 | 800 | 25,000 | ± 2.4 | ± 0.42 | | 0.08 x 10 ⁶ | 0.006 | 3.55 |
| KTF-25-17 | TF 213 - 214 | 1,700 | 3,150 | 15,000 | ± 3.0 | ± 0.42 | | 0.65 x 10 ⁶ | 0.018 | 5.39 |
| KTF-25-28 | TF 215 | 2,800 | 5,000 | 15,000 | ± 3.2 | ± 0.45 | | 1.10 x 10 ⁶ | 0.032 | 7.20 |
| KTF-25-65 | TF 216 | 6,400 | 12,500 | 10,000 | ± 4.2 | ± 0.65 | | 2.31 x 10 ⁶ | 0.136 | 17.60 |
| KTF-25-110 | TF 217 | 11,000 | 20,000 | 10,000 | ± 5.0 | ± 0.76 | | 3.26 x 10 ⁶ | 0.251 | 26.00 |

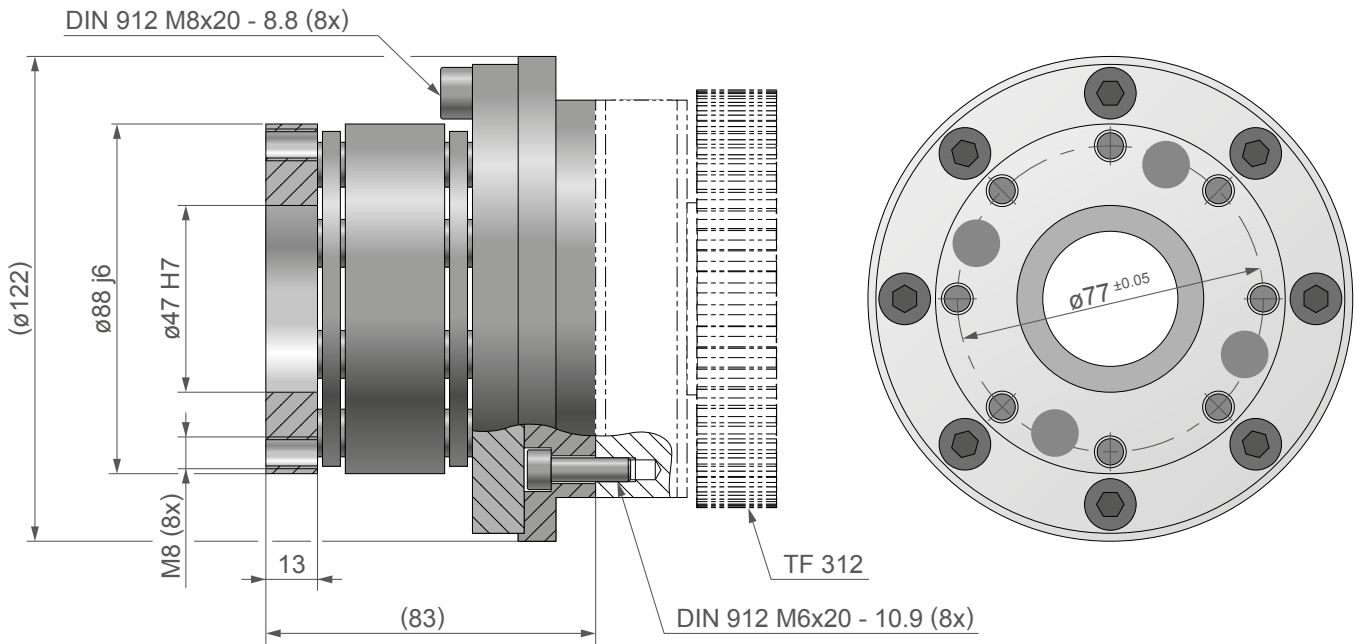
a) This values only refere to the coupling and not to the TF torque flange sensor. For this one, please refere to the corresponding datasheet

b) Versions with a higher speed range available on request

KTF-25-2.8 DIMENSIONS (FOR TF 309 - 311)

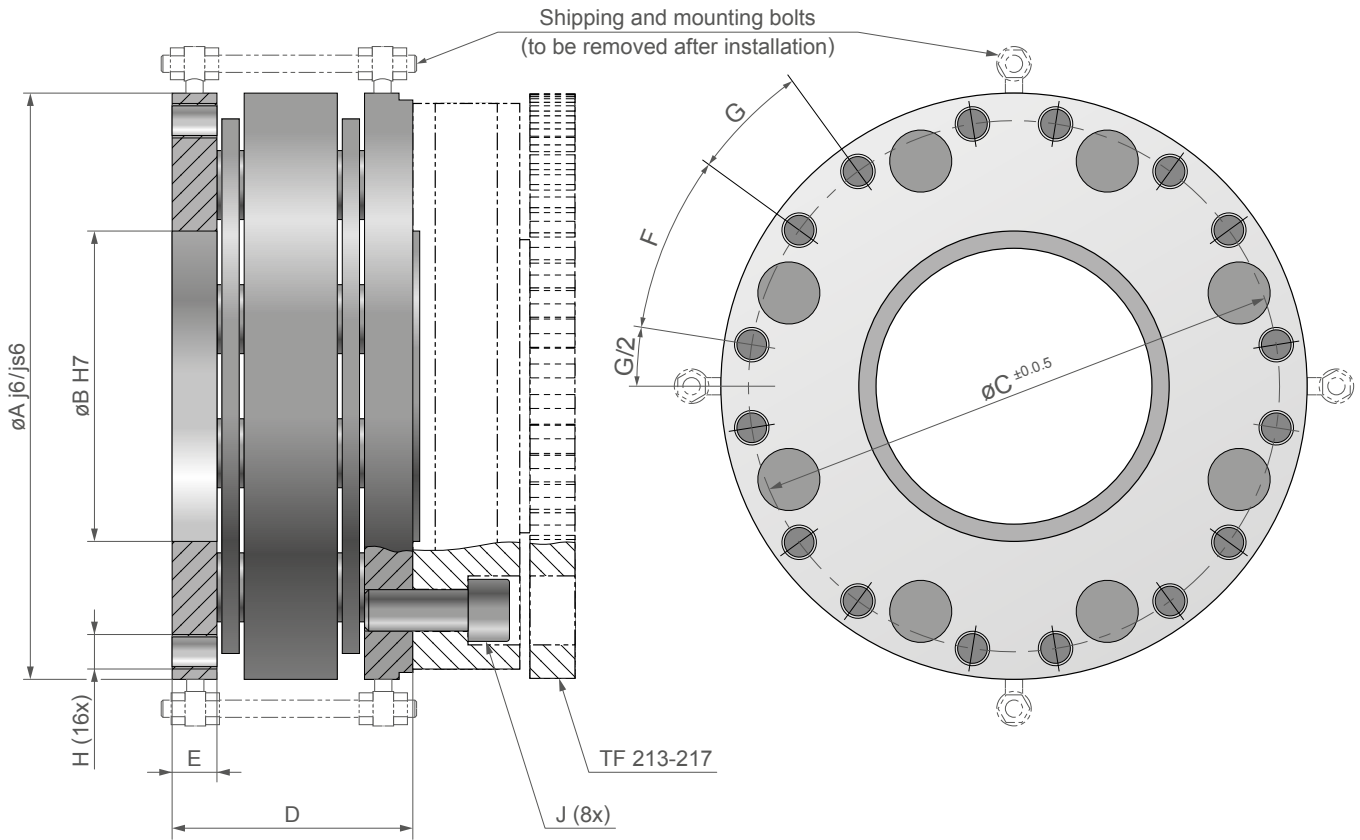


KTF-25-4.5 DIMENSIONS (FOR TF 312)



NOTE : 3D STEP files of most of our products are available on our website: www.magtrol.com ; other files are available on request.

KTF-25-17-110 DIMENSIONS (FOR TF 213 - 217)



| MODEL | UNIT | $\varnothing A$ | $\varnothing B$ | $\varnothing C$ | D | E | F | G | H | J |
|------------|------|-------------------------|------------------------|-------------------|-------|------|-----|-----|-----------|----------------------------|
| KTF-25-17 | mm | $\varnothing 146_{j6}$ | $\varnothing 82_{H7}$ | $\varnothing 134$ | 74.8 | 12.5 | 27° | 18° | M8 (16x) | DIN 912 M10x25 - 10.9 (8x) |
| KTF-25-28 | mm | $\varnothing 170_{js6}$ | $\varnothing 90_{H7}$ | $\varnothing 154$ | 69.8 | 13.0 | 27° | 18° | M10 (16x) | DIN 912 M12x25 - 10.9 (8x) |
| KTF-25-65 | mm | $\varnothing 222_{j6}$ | $\varnothing 118_{H7}$ | $\varnothing 200$ | 99.8 | 19.1 | 30° | 15° | M16 (16x) | DIN 912 M14x35 - 10.9 (8x) |
| KTF-25-110 | mm | $\varnothing 248_{js6}$ | $\varnothing 135_{H7}$ | $\varnothing 224$ | 116.0 | 22.8 | 30° | 15° | M16 (16x) | DIN 912 M16x40 - 10.9 (8x) |

NOTE : 3D STEP files of most of our products are available on our website: www.magtrol.com ; other files are available on request.

ORDERING INFORMATIONS

| ORDERING NUMBER | KTF - 25 - | -- |
|-----------------|--------------------|----|
| 2.8 | : for TF 309 - 311 | |
| 4.5 | : for TF 312 | |
| 17 | : for TF 213 | |
| 28 | : for TF 215 | |
| 65 | : for TF 216 | |
| 110 | : for TF 217 | |

Example: coupling for a TF 312 torque flange sensor would be ordered as follows: KTF-25-4.5