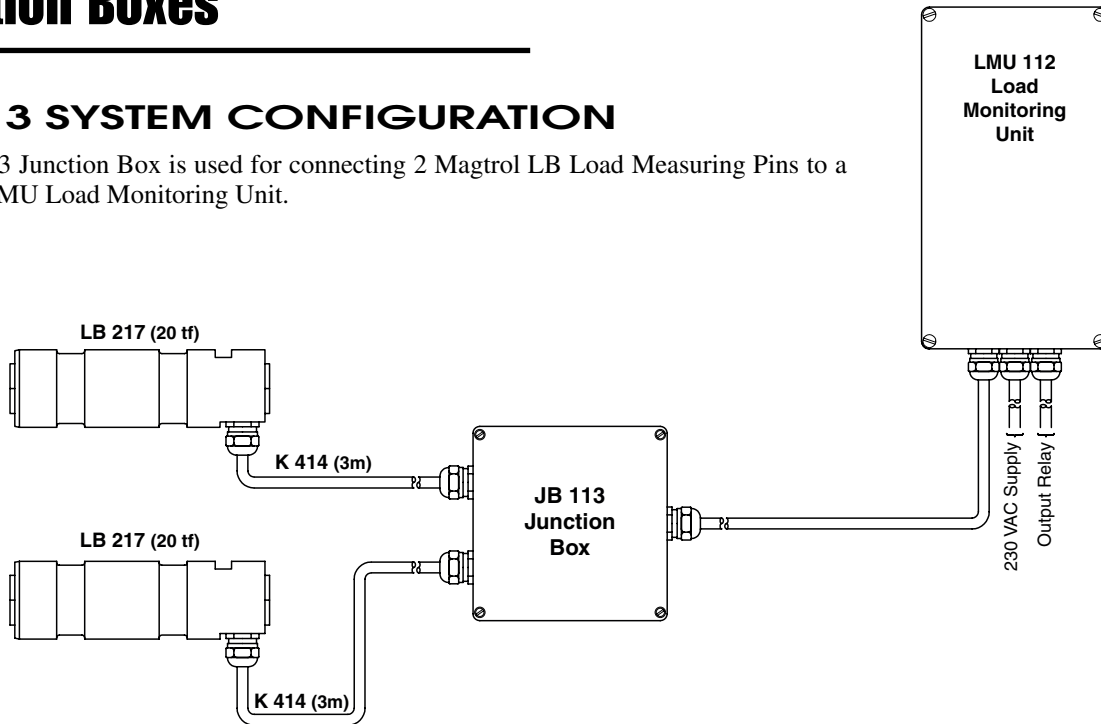


JB 113 and JB 114 Junction Boxes

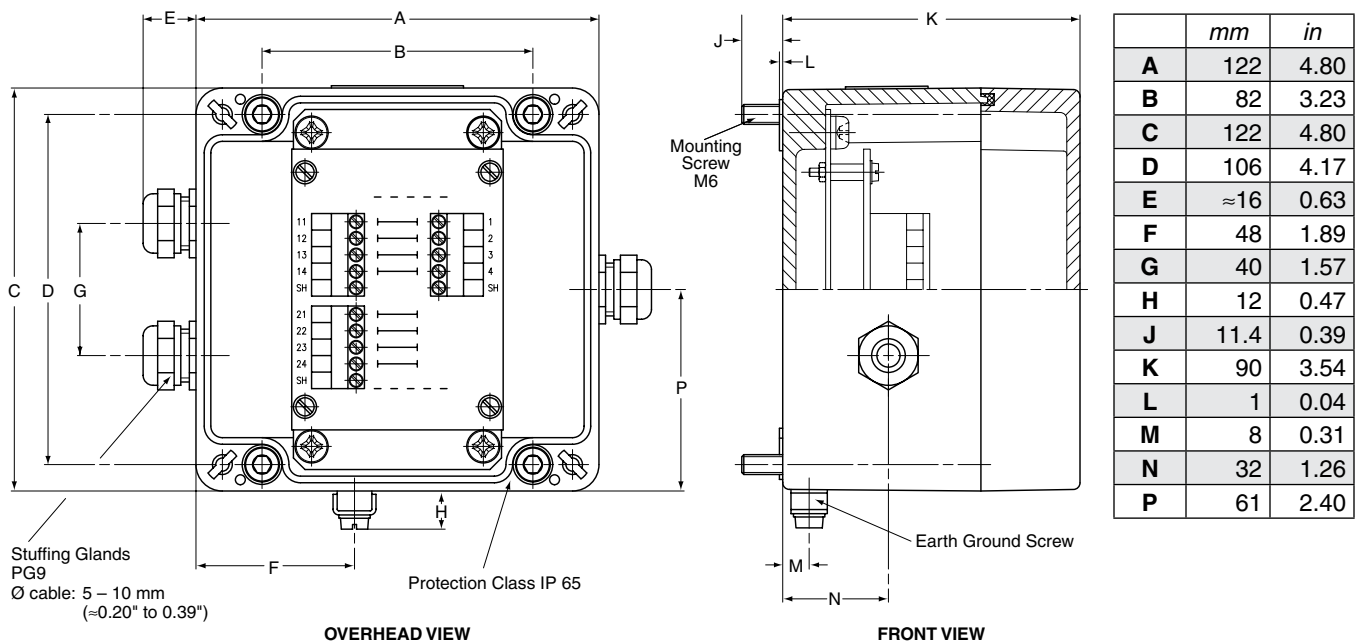
JB 113 SYSTEM CONFIGURATION

The JB 113 Junction Box is used for connecting 2 Magtrol LB Load Measuring Pins to a Magtrol LMU Load Monitoring Unit.



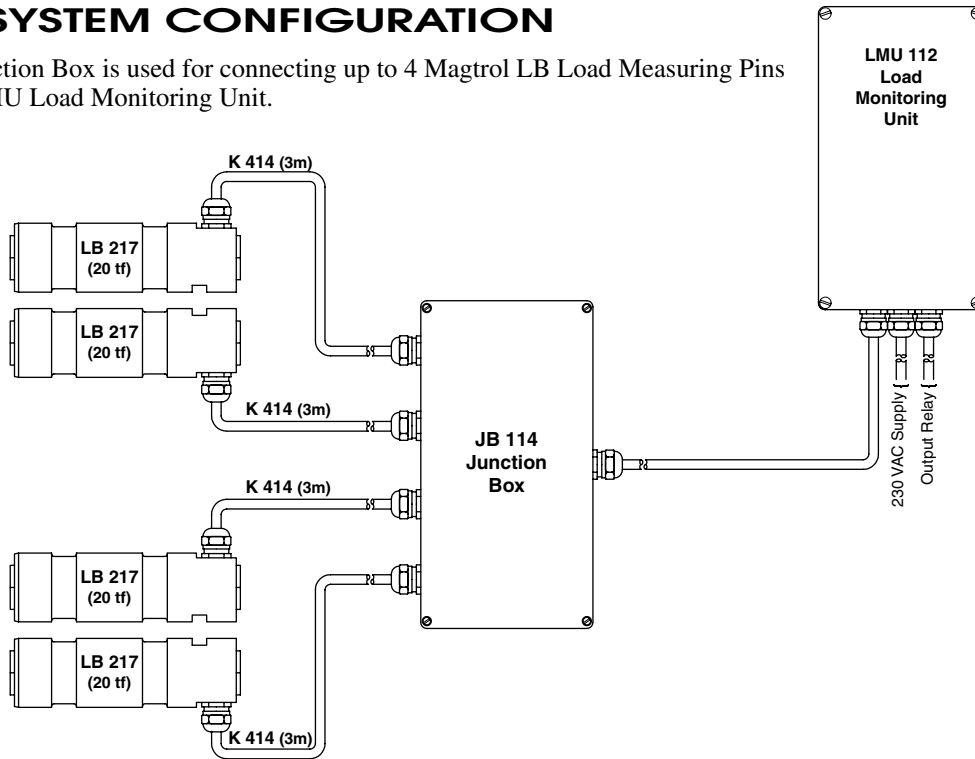
JB 113 DIMENSIONS

NOTE: Original dimensions are in Metric units. Dimensions converted to English units have been rounded up to 2 decimal places.



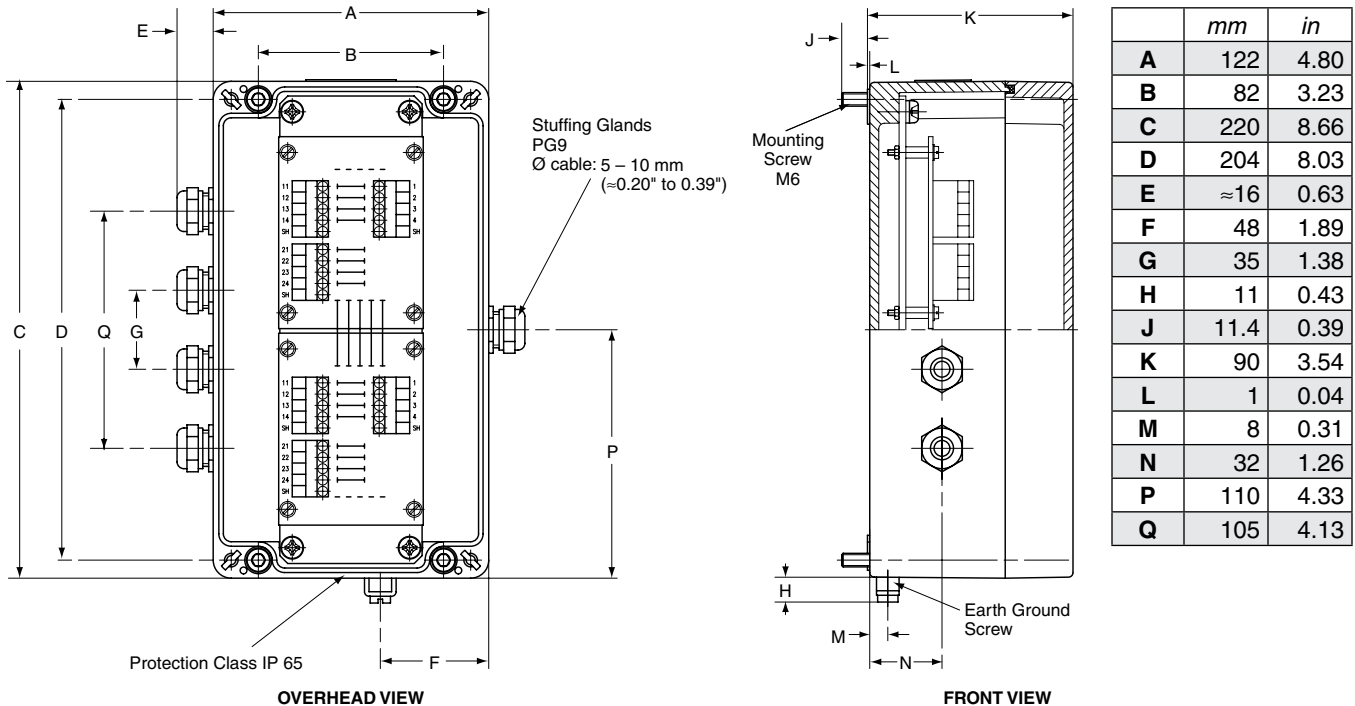
JB 114 SYSTEM CONFIGURATION

The JB 114 Junction Box is used for connecting up to 4 Magtrol LB Load Measuring Pins to a Magtrol LMU Load Monitoring Unit.



JB 114 DIMENSIONS

NOTE: Original dimensions are in Metric units. Dimensions converted to English units have been rounded up to 2 decimal places.



Due to the continual development of our products, we reserve the right to modify specifications without forewarning.



www.magtrol.com

MAGTROL INC
 70 Gardenville Parkway
 Buffalo, New York 14224 USA
 Phone: +1 716 668 5555
 Fax: +1 716 668 8705
 E-mail: magtrol@magtrol.com

MAGTROL SA
 Centre technologique Montena
 1728 Rossens/Fribourg, Switzerland
 Phone: +41 (0)26 407 3000
 Fax: +41 (0)26 407 3001
 E-mail: magtrol@magtrol.ch

Subsidiaries in:
 Great Britain
 Germany • France
 China • India
 Worldwide Network
 of Sales Agents

