
DD-03

Load Cells and Force Transducers

FEATURES

- Nominal capacity: 20, 50, 100, 200, 500, 1000 kN
- Small dimensions: ideal for space-saving applications
- High accuracy and long service reliability
- Sealed strain gauge area
- Very high strength steel measuring spring with hard chrome-plated dome
- Accuracy class 0.3%
- Protection IP 66



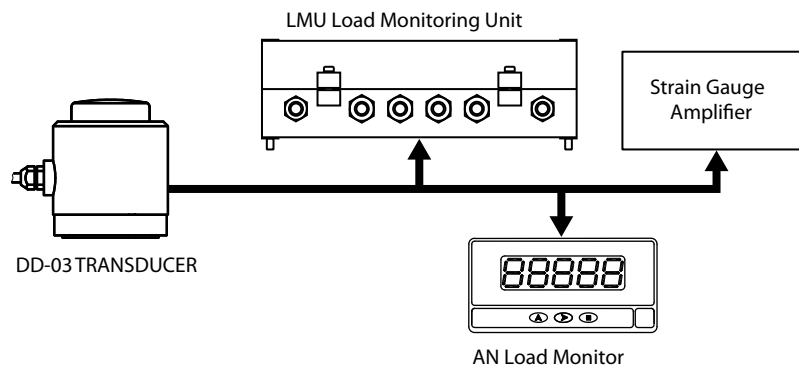
DESCRIPTION

Magtrol's DD-03 Force Transducers are designed for measuring static and dynamic compression loads. Using strain gauge technology, a deformation of the sensing element provides an electrical signal proportional to the load or force being measured.

APPLICATIONS

The DD-03 Force Transducer can be used to measure very large force ranges. When connected to a signal conditioner, this high-accuracy transducer is ideally suited for weight measurement applications in hoppers/silos, platforms and ski lifts.

SYSTEM CONFIGURATION



ORDERING INFORMATION

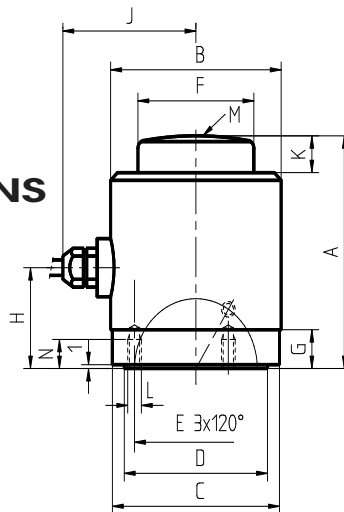
PART NUMBER (P/N)	DD-03-
• Nominal Force :	
(kN) 20, 50, 100, 200, 500, 1000	

TECHNICAL RATINGS

		DD-03	
MECHANICAL CHARACTERISTICS			
Nominal load	20 kN, 50 kN, 100 kN	200 kN, 500 kN, 1000 kN	
Accuracy class	0,3 %		
Overload Limit	150 %		
Overload at Rupture	> 400 %		
Nominal deflection	~ 0.1 mm	~ 0.5 mm	
Weight	~ 1.4 kg	~ 5 kg	
ELECTRICAL CHARACTERISTICS			
Nominal output (output signal at nominal capacity)	2 mV/V ± 0.3 %		
Input Impedance	260 Ω		
Output Impedance	240 Ω ± 2		
Insulation resistance	> 10 ⁹ Ω		
Supply voltage	≤ 20 V		
Combined error (non-linearity and hysteresis)	< ± 0.25 %		
ENVIRONMENTAL CHARACTERISTICS			
Reference temperature	23 °C		
Operating temperature (compensated)	-10 °C to +60 °C		
Usable temperature range	-40 °C to +80 °C		
Temperature influence : on zero	< ± 0.01 %/K		
Temperature influence : on sensitivity	≤ ± 0.03 %/K		
Protection Class	IP 66		
CONNECTION CABLE			
Cable length	3 m		

DIMENSIONS

Shielded connection cable 3 m long.
The shielding is not attached to the transducer body.



Dimensions (mm)	Nominal load (kN)	
	20, 50, 100, 200	500, 1000
A	70 ± 0.5	120 ± 0.5
B	64	100
C	62	98
D	50	84
E	42	72
F	30	67
G	7	20
H	31	52
J	68	86
K	4	19
L	M6	M8
M	R = 60	R = 200
N	10	15

PIN CONNECTIONS

PIN	COLOR CODE
+ Supply	Brown
- Supply	White
+ Signal	Yellow
- Signal	Green

Due to the continual development of our products, we reserve the right to modify specifications without forewarning.



www.magtrol.com

MAGTROL INC

70 Gardenville Parkway
Buffalo, New York 14224 USA
Phone: +1 716 668 5555
Fax: +1 716 668 8705
E-mail: magtrol@magtrol.com

MAGTROL SA

Centre technologique Montena
1728 Rossens/Fribourg, Switzerland
Phone: +41 (0)26 407 3000
Fax: +41 (0)26 407 3001
E-mail: magtrol@magtrol.ch

Subsidiaries in:

Great Britain
Germany • France
China • India
Worldwide Network
of Sales Agents

